



PARTS MANUAL

MODEL K341 16HP

Engine Specs 71105 — 71327*

Generator Specs 13000-13005

HOW TO FIND YOUR PART NUMBER

1 Refer to the Composite Exploded View on page 2 (Grid A2). It contains major engine components boxed and identified by Group Number. Examine these groups for your part. After you locate your part, record the Group Number.

If the part you need is not illustrated, locate a major engine component related to your part and use this component to identify the Group Number.

2 Obtain the Spec Number from the nameplate attached to the engine shrouding. Refer to the Spec Number Index beginning on page 3 (Grid A3). Listed vertically on the left are Spec Numbers. Listed horizontally across

the top are Group Numbers and their titles, and Page Numbers.

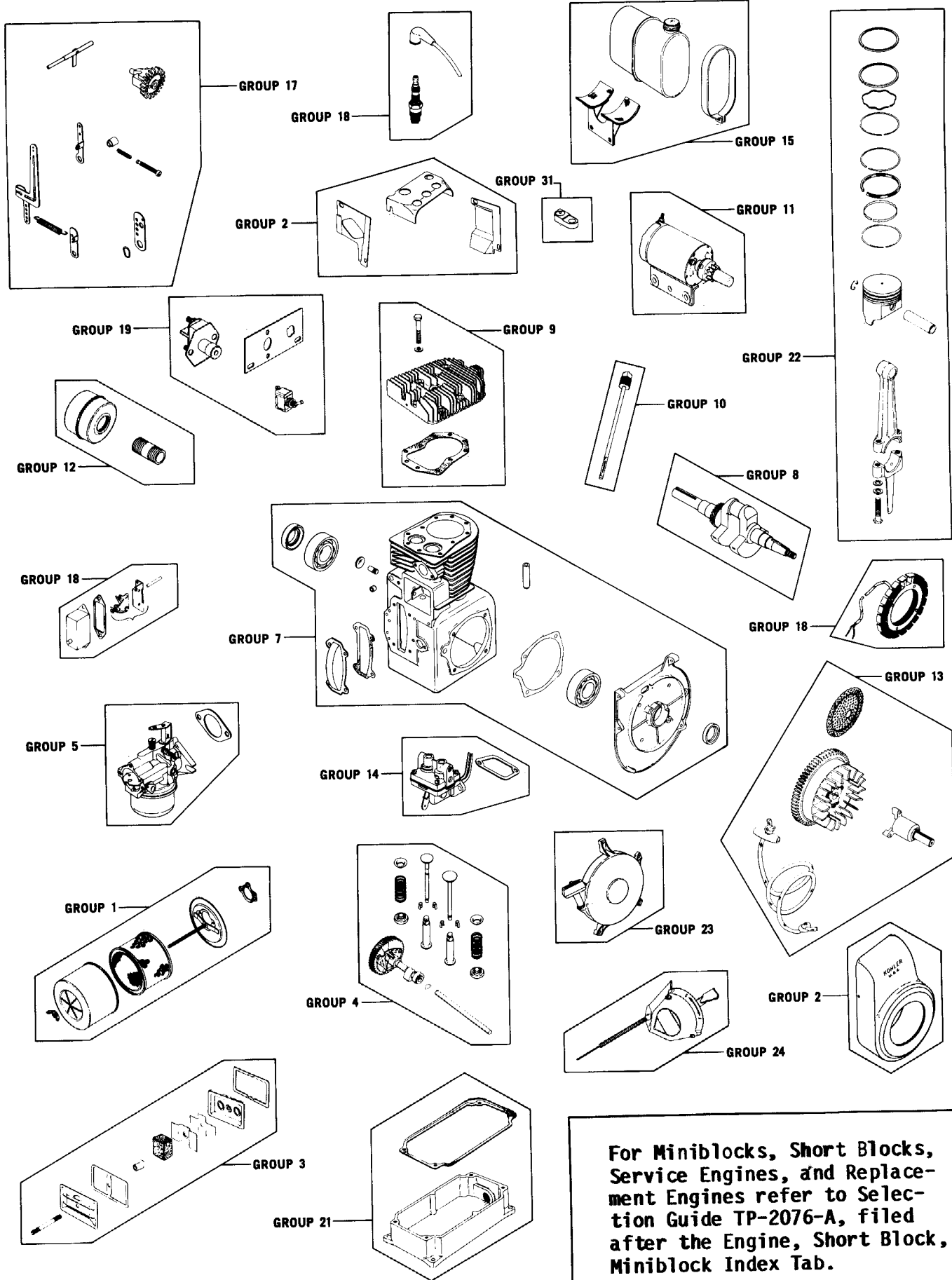
Locate your Spec Number. Follow horizontally from your Spec Number to the Group Number column. Where these two columns meet is the Variation Number of your part. Record that Variation Number.

3 Refer to the page (or grid) where your part is listed. Locate the part in the illustration, use its identifying index letter to locate the part name in the listing. Find the Variation Number of your part in those listed below the part name. Your part number is listed to the right of the Variation Numbers.

Illustrations are not intended to show the exact detail for all variations covered.

*Specs 71329 & later are covered in Supplement TP-2072.

COMPOSITE EXPLODED VIEW



For Miniblocks, Short Blocks, Service Engines, and Replacement Engines refer to Selection Guide TP-2076-A, filed after the Engine, Short Block, Miniblock Index Tab.

SPEC. NO. INDEX

GROUP TITLE	AIR INTAKE	BAFFLES & SHROUD	BREATHER & VENT	CAMSHAFT & VALVES	CARBURETOR	CRANKCASE	CRANKSHAFT	CYLINDER HEAD	DIPSTICK	ELECTRIC START	EXHAUST	FLYWHEEL	FUEL PUMP	FUEL TANK	GOVERNOR	IGNITION	INSTRUMENT PANEL	OIL PAN	PISTON & ROD	RETRACTABLE START	REMOTE THROTTLE	HIGH TEMP. CUTOUT
Group No.	1	2	3	4	5	7	8	9	10	11	12	13	14	15	17	18	19	21	22	23	24	31
PAGE NO.	6	7	8	9	9	11	12	13	13	14	18	18	19	20	21	23	24	25	26	26	27	27

SPEC. NO.	VARIATION NUMBER																					
71258	1	44	1	2	1	4	1	1	113	1	3	22	11	5	46		1	1	3		3	
71261	4	4	1	2	1	4	2	1	3	1	3	1	2	1	4	1	1	3				
71262*	1	44	1	2	1	10	1	1	113		3	22	11	1	45	1	1	3				
71265	14	36	2	2	27	4	1	3	6	115		3	22	4	45		1	3				
71266	4	44	1	2	1	4	1	3	113		3	22		1	45		1	3				
71267	4	44	1	2	1	16	1	3	10	113		3	22	1	45		1	3				
71268	12	1	1	1	1	1	3	1				17	5	2	43		1	3		1		
71269	4	12	1	1	1	1	2	1				17	22	1	43		1	3		1		
71270	17	42	4	2	19	49	30	11	21	111	8	65	28	38	64		23	3				
71272	4	36	1	2	1	4	1	3	1	115		3	4	1	45		1	3				
71273	1	12	1	1	42	21	12	1	10			70	22	9	42	53		1	3		1	
71275	17	38	4	2	19	53	7	11	18	109	7	33	28		21	36		8	3			
71277	4	44	1	2	1	4	2	1	1	113		3	22	11	1	4		1	3			
71281	41	34	4	4	40	39	22	16	23	12	7	55	32		41	49		15	3			2
71292	1	12	1	1	1	13	1	1	1		1	17	22	1	1	43		1	3		1	
71293	1	44	1	2	1	4	2	1	1	113		3	22	11	7	45		1	3			
71294*		36	1	2	1	2	2	3	2	115		29	22		1	45		1	3			
71295	4	36	1	2	1	16	2	3	10	115	7	3	22		1	45		1	3			5
71298	4	57	1	2	2	2	7	22	2	116	7	67	21		44	78		2	3			
71302	27	36	2	2	27	4	2	3	6	115		73	22		4	45		1	3			
71303	4	2	2	2	23	6	1	3	24	1		8	35		29	9		20	3			4
71309	4	44	1	2	1	10	2	1	6	113	1	3	22	11	5	46		1	3			3
71311	4	2	1	2	23	6	1	3	24	1		8	35		45	9		20	3			3
71315	27	44	1	2	1	4	2	24	6	113	1	3	22	203	7	45	14	1	3			
71316	1	12	1	1	1	1	1	1	1			17	22	1	7	43		1	3		1	
71318	45	57	1	2	2	2	7	22	2	116	7	67	21		44	78		1	3			
71324	4	12	1	1	1	13	2	3	1			17	22		7	43		1	3		1	
71325	4	64	7	2	50	67	44	3	6	1		75	41		3	86		1	3			
71326	1	12	1	1	1	68	2	1	1			17	22	1	7	43		1	3		1	9
71327	47	36	2	2	49	4	45	13	6	115		4			48	87		2	3			

* Accessories: See Page 28.
 # Basic Engine

Gasket Set: See Page 29.
 Contact your Kohler engines parts supplier for any specification not listed.

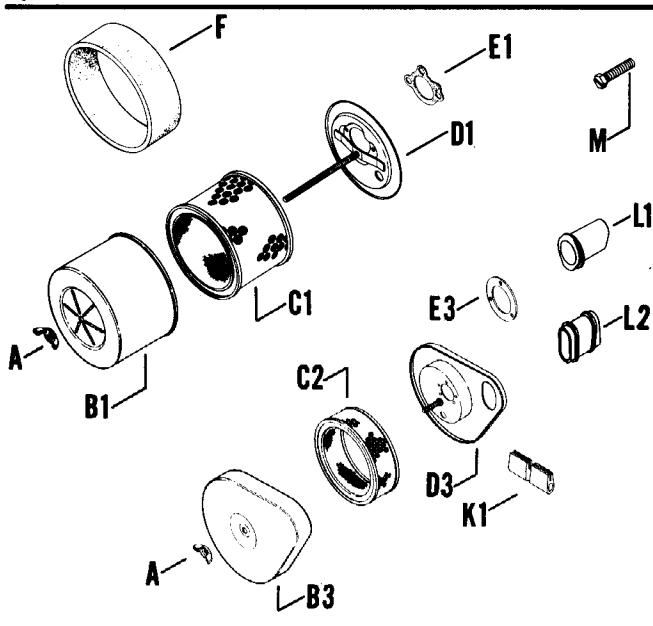
GENERATOR SET SPEC. NO. INDEX

GROUP TITLE	AIR INTAKE	BAFFLES & SHROUD	BREATHER & VENT	CAMSHAFT & VALVES	CARBURETOR	CRANKCASE	CRANKSHAFT	CYLINDER HEAD	DIPSTICK	EXHAUST	FUEL PUMP	GOVERNOR	IGNITION	OIL PAN	PISTON & ROD	HIGH TEMP. CUTOUT
<i>Group No.</i>	1	2	3	4	5	7	8	9	10	12	14	17	18	21	22	31
PAGE NO.	6	7	8	9	9	11	12	13	13	18	19	21	23	25	26	27
SPEC NO.	V A R I A T I O N N U M B E R															
13000A*	7	11	3	2	7	15	10	8	200	5	11	9	16	9	2	
13000B*	7	11	3	2	7	15	10	8	200	5	11	9	16	9	2	
13002B*	18	22	3	2	17	15	10	12	200	5	16	10	16	10	2	1
13002C*	18	22	3	2	17	15	10	12	200	5	16	10	16	10	2	1
13003C	18	22	3	2	17	15	10	12	200	5	16	10	16	10	2	1
13004C	18	22	3	2	17	15	10	12	200	5	16	10	16	10	2	1
13005C*	18	22	3	2	17	15	10	12	200	5	16	10	16	10	2	1

Gasket Set: See Page 29.

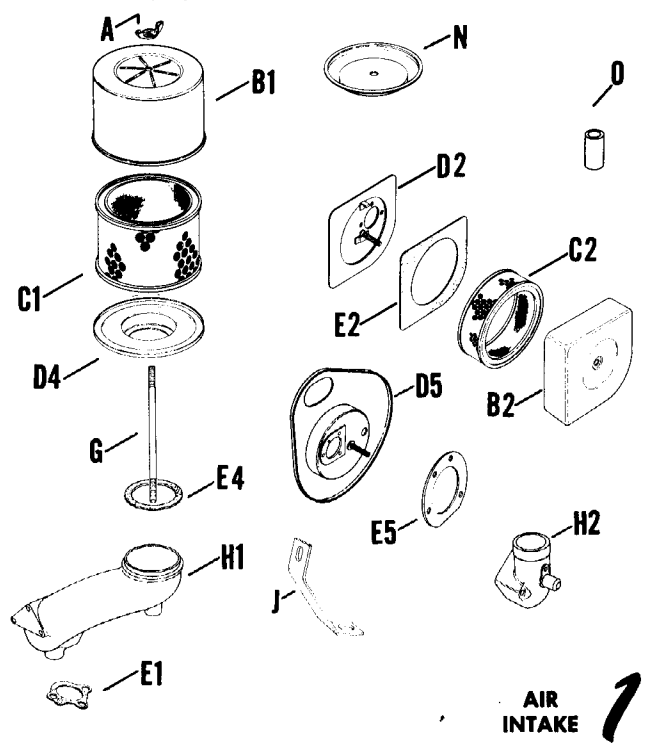
Contact your Kohler generator parts supplier for any specification not listed.

AIR INTAKE



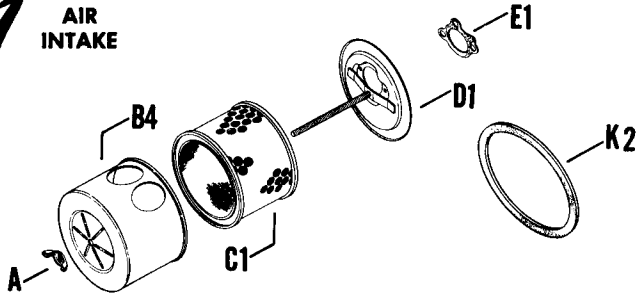
INDEX LTR.	DESCRIPTION VARIATION NUMBER	PART NUMBER	QTY.
	(D3-CONTINUED)		
	26	47 094 07	1
	Base, cleaner 16	47 201 03	1
	Base, cleaner 17	47 094 08	1
D4	Base, cleaner 13,23	235123	1
D5	Base, cleaner 31,41	47 094 10	1
E1	Gasket, air horn 1,3,4,7,8,13,14,16,18,23,27,45,47	275341	1
	15	275341	2
E2	Gasket, cleaner 7,18	45 049 01	1
E3	Gasket, air horn 12,17,19,24,26,28	47 041 02	1
E4	Gasket, cleaner 13,23	AC-1787	1
E5	Gasket, cleaner 31,41	45 041 07	1
F	Precleaner, element (May be used with filter element 45 083 02)	45 083 01	1
G	Stud, cleaner 1/4 - 20 x 6-5/8 13,23	210186-1	1
H1	Elbow, air cleaner 8,13,23	45 054 03	1

INDEX LTR.	DESCRIPTION VARIATION NUMBER	PART NUMBER	QTY.
A	Nut, wing 1,3,4,7,12,13,14,15,16,17,18,19,23,24,26,28,31,41,45,47	X-276-7	1
B1	Cover, cleaner 1,3,4,13,15,23,45,47	45 082 01	1
B2	Cover, cleaner 7,18	45 082 02	1
B3	Cover, cleaner 12,16,19,26,28,31,41 17,24	47 082 01 47 082 03	1 1
B4	Cover, cleaner 14	47 082 02	1
C1	Element, filter 1,3,4,13,14,15,23,45,47	45 083 02	1
C2	Element, filter 7 12,16,19,26,28,31 17,24 18 41	235116 47 083 01 47 083 03 47 083 02 47 083 04	1 1 1 1 1
D1	Base, cleaner 1,3,4,15,45,47 14	45 094 01 47 094 02	1 1
D2	Base, cleaner 7,18	45 201 01	1
D3	Base, cleaner 12,24 19,28	47 094 08 47 094 11	1 1



AIR INTAKE

1 AIR INTAKE

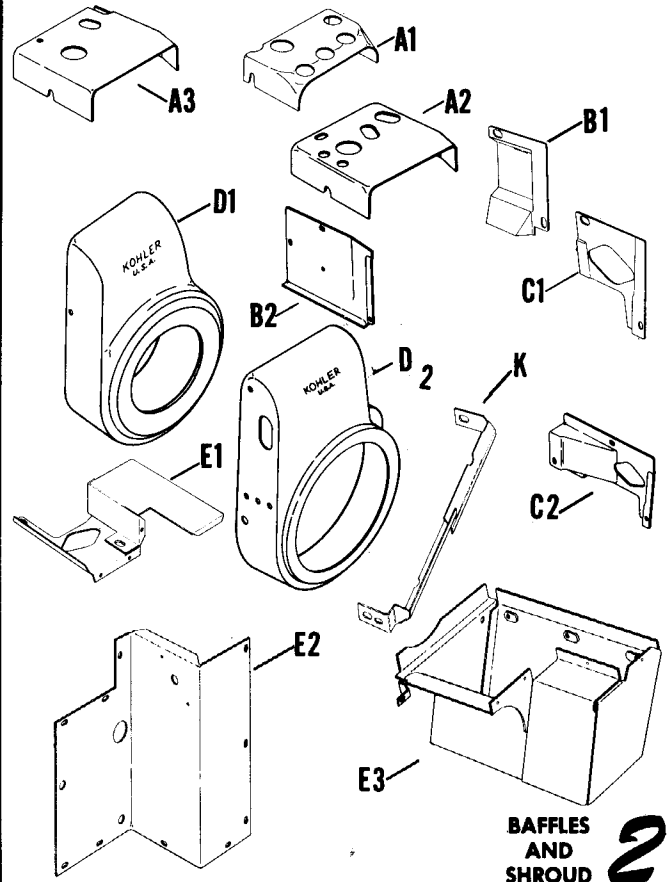


INDEX LTR.	DESCRIPTION VARIATION NUMBER	PART NUMBER	QTY.
H2	Elbow, air cleaner 27	48 054 08	1
J	Brace, air cleaner 8,13,23	235339	1
K1	Seal, air cleaner 12,16,17,19,24,26,28,31,41	47 032 03	1
K2	Seal, air cleaner 14	237423	1
L1	Tube, air cleaner 12,17,19,24,26,28,31,41	47 134 02	1
L2	Tube, air cleaner 16	47 134 01	1
M	Screw, sems #10 - 32 x 5/16 1,3,4,14,16,18,45,47	X-167-2	3
N	Cover, air cleaner element 45	52 082 04	1
O	Seal, breather 45	231032	1

2 BAFFLES AND SHROUD

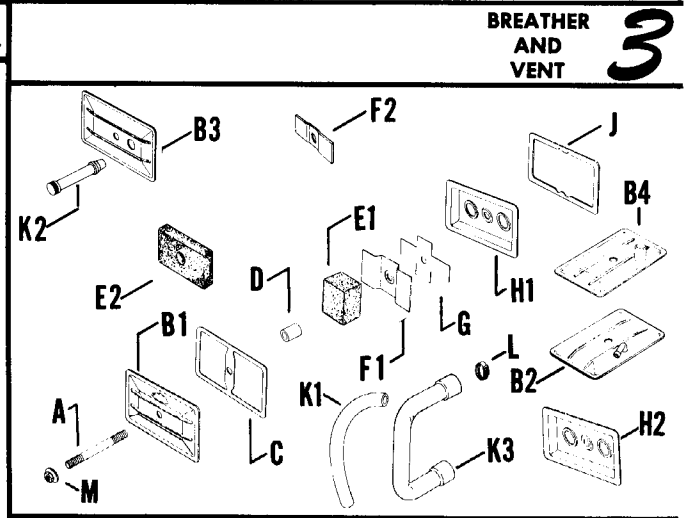
INDEX LTR.	DESCRIPTION VARIATION NUMBER	PART NUMBER	QTY.
Use stock of original part number before ordering replacement.			
A1	Baffle, head 1,2,4,5,6,8,12,14,20,29,31,36,40,44,57,64	45 124 01	1
A2	Baffle, head 18 19,21,23,34,35,38	47 124 01 47 124 03	1 1
A3	Baffle, head 42	47 124 09	1
B1	Baffle, cylinder 1,2,4,5,6,8,12,14,20,29,31,36,38,40,44,57,64	45 063 01	1
B2	Baffle, cylinder 18 19,21,23,34,35,38,42	47 063 03 47 063 05	1 1
C1	Baffle, side air 1,2,4,5,6,8,12,14,20,29,31,36,40,44,57,64	235652	1
C2	Baffle, side air 18,19,21,23,34,35,42	47 063 01	1
D1	Housing, blower 1	235901	1

INDEX LTR.	DESCRIPTION VARIATION NUMBER	PART NUMBER	QTY.
(D1-CONTINUED)			
	2	236680	1
	4	237047	1
	5	237624	1
	6	237525	1
	8	237110	1
	12	235693	1
	14	235934	1
	20	236788	1
	31	236221	1
D2	Housing, blower (Replaced by 47 027 05)		
	18	47 027 03	1
	35	47 027 02	1
	36	47 027 18	1
	Housing, blower 19	47 027 07	1
	40	47 027 16	1
	34	47 027 14	1
	57	47 027 27	1

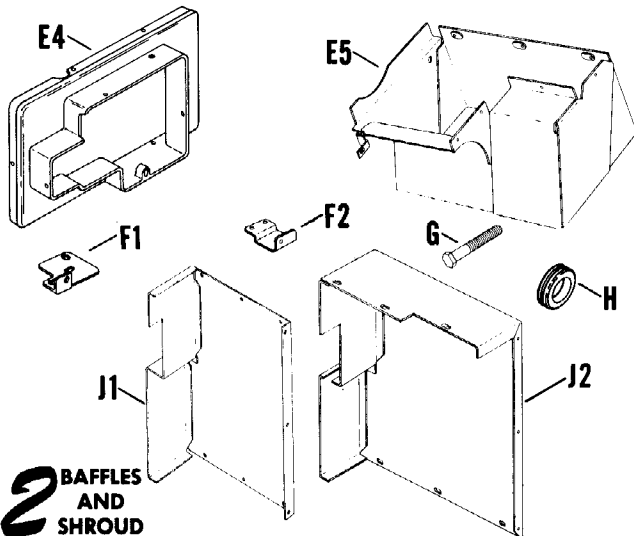


BAFFLES AND SHROUD 2

INDEX LTR.	DESCRIPTION VARIATION NUMBER	PART NUMBER	QTY.
(D2-CONTINUED)	21,23,38,42	47 027 05	1
	44	47 027 19	1
	29	236541	1
	64	236985	1
E1	Duct, air - top 11,22	45 282 02	1
E2	Duct, side air 11,22	45 281 02	1
E3	Duct, air chute 11	45 281 04	1
E4	Duct, air 18	47 281 02	1
	Duct, air 19,23,38	47 281 06	1
	Duct, air 34	47 281 15	1
	Duct, air 21,35,42	47 281 04	1
E5	Duct, air chute 22	45 281 06	1
F1	Bracket, duct support 18	45 126 03	1
F2	Bracket, duct support 19,21,23,34,35,38,42	45 126 04	1
G	Screw, hex. hd. 1/4 - 20 x 1 (Use after engine serial no. 7158393) 19,34,35,38	47 086 02	1
H	Grommet 22	X-284-8	1
J1	Cover, air duct 11	45 096 01	1
J2	Cover, air duct 22	45 096 05	1
K	Deflector 64	236847	1



INDEX LTR.	DESCRIPTION VARIATION NUMBER	PART NUMBER	QTY.
A	Stud, valve cover 1,3,4,5,7	275220	1
	2	235551	1
B1	Cover, valve (Standard) 1,2	275143	1
B2	Cover, valve 3	45 096 02	1
B3	Cover, valve (Closed) 4,5	47 096 01	1
B4	Cover, valve 7	275839	1
C	Gasket, valve cover 1,2,3,4,5,7	275144	1
D	Seal, breather 1,2,3,4,5,7	231032	1
E1	Filter 1,2,3,5,7	235118	1
E2	Filter 4	47 050 01	1
F1	Baffle 1,2,3,5,7	235117	1
F2	Stop, breather reed 4	270146	1
G	Reed, breather 1,2,3,4,5,7	235047	1
H1	Plate, breather 1,2,4,5,7	235631	1
H2	Plate, breather 3	45 146 02	1
J	Gasket 1,2,3,4,5,7	235048	1
K1	Hose 3/8 I.D. x 1/2 O.D. x 8-3/8 3	X-484-18	1
K2	Hose, breather 4,5	47 326 01	1
K3	Hose, breather 7	47 326 02	1
L	Clamp, hose 3	X-426-9	2
	7	X-426-3	1
M	Nut 7	X-799-1	1

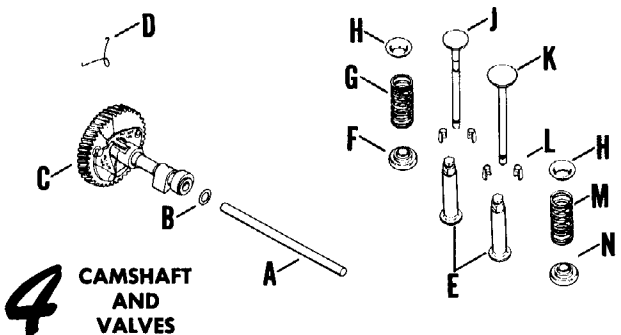


2 BAFFLES AND SHROUD

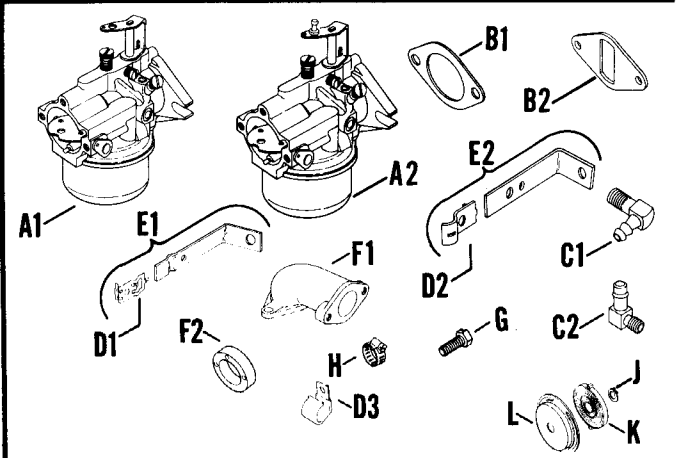
4 CAMSHAFT AND VALVES

CARBURETOR 5

INDEX LTR.	DESCRIPTION VARIATION NUMBER	PART NUMBER	QTY.
Use stock of original part number before ordering replacement.			
A	Pin, camshaft 1,2,3,5	235053	1
B	Spacer, camshaft .005 1,2,3,4,5	275066	A.R.
	Spacer, camshaft .010 1,2,3,4,5	275067	A.R.
C	Camshaft - assembly (Includes D) (Replaced by 47 010 06) 1,2	J-235646	1
	Camshaft 3	H-237664	1
	Camshaft - assembly (Includes D) 5	45 010 01	1
	Camshaft - assembly 4	47 010 05	1
D	Spring, actuating 1,2,5	47 089 01	1
E	Tappet 1,2,3,4,5	D-235327	2
F	Rotator, exhaust valve 1,2,3,4,5	230020	1
G	Spring, exhaust valve 1,2,3,4,5	235168	1
H	Retainer, spring upper 1,2,3,4,5	235011	2
J	Valve, exhaust (Stellite) 1,2,3,4,5	237672	1
K	Valve, intake (Stellite) 1,2,3,4,5	235582	1
L	Keeper, valve 1,2,3,4,5	240013	4
M	Spring, intake valve 1,2,3,4,5	235168	1
N	Rotator, intake valve 1,2,3,4,5	230020	1

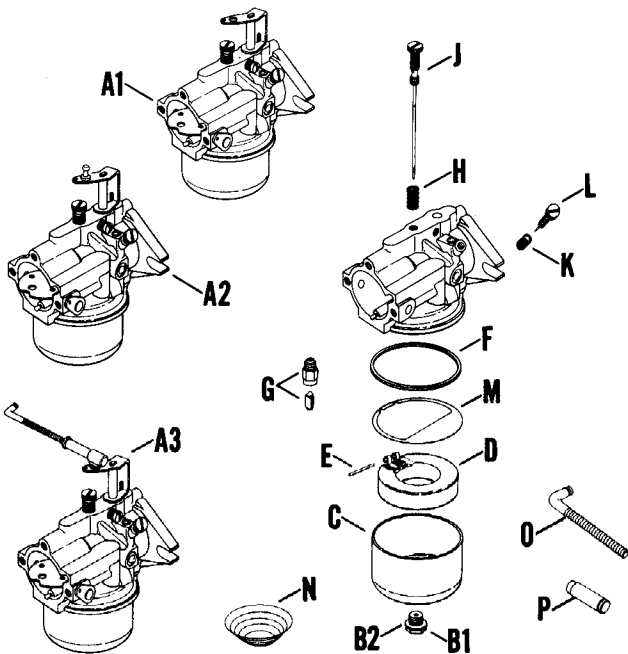


4 CAMSHAFT AND VALVES



INDEX LTR.	DESCRIPTION VARIATION NUMBER	PART NUMBER	QTY.
Use stock of original part number before ordering replacement.			
A1	Carburetor - assembly (Replaced by 45 053 20) 1,2,4,5,23,27,49	A-237685	1
	Carburetor - assembly 8,10,500	A-237684	1
	13	45 053 06	1
	25,50	45 053 26	1
	39	45 053 44	1
	42	45 053 46	1
	46	45 053 55	1
A2	Carburetor - assembly 7	45 053 02	1
	15	45 053 08	1
	16	45 053 09	1
	17	45 053 04	1
	19	45 053 12	1
	Carburetor - assembly (Replaced by 45 053 50) 22,40	45 053 42	1
B1	Gasket, carburetor 1,2,4,5,8,10,23,25,39,42, 46,49,50,500	271030	1
	7,17	271030	2
B2	Gasket, carburetor 13,15,16,19,22,27,40	47 049 01	1
C1	Elbow, hose 90° 1,2,4,5,7,8,10,13,15,19, 23,25,27,39,42,46,49,50,500	X-391-1	1
C2	Elbow, hose 90° 16	X-391-12	1
D1	Clip, choke cable 2,4,13,49,50	235603	1
D2	Clip, choke cable 5,10,500	235778	1

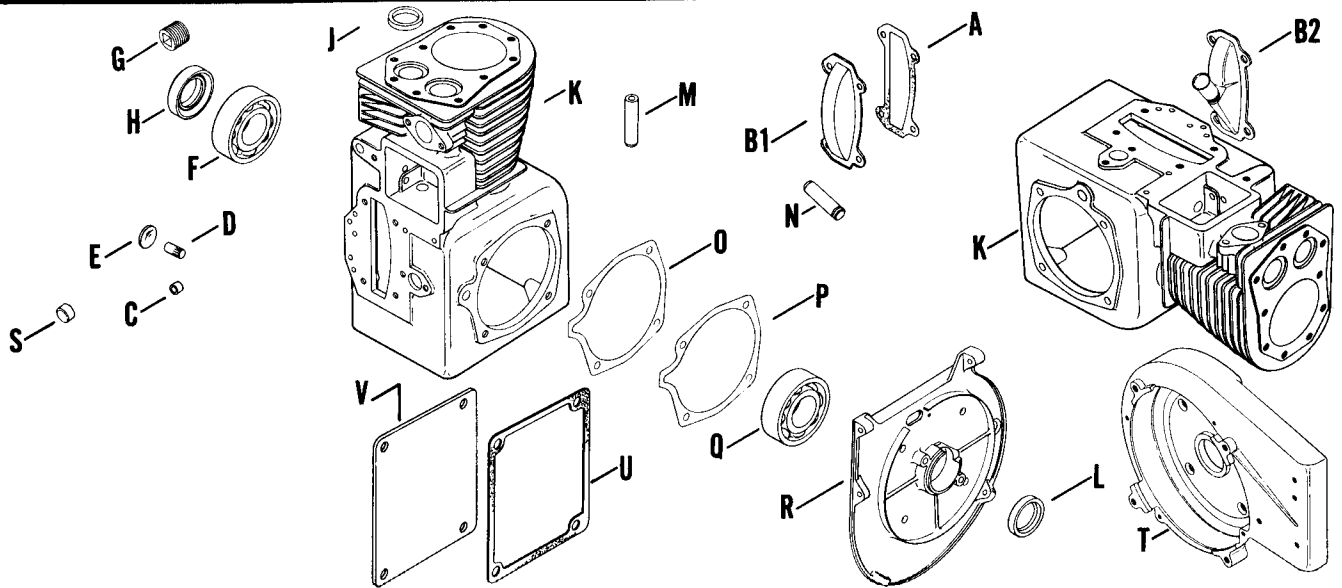
INDEX LTR.	DESCRIPTION VARIATION NUMBER	PART NUMBER	QTY.	INDEX LTR.	DESCRIPTION VARIATION NUMBER	PART NUMBER	QTY.
D3	Clip, choke cable 22	48 154 01	1				
	40	48 154 02	1				
E1	Bracket, choke - assembly (Includes 235603 clip) 2,4,49,50	A-236919	1				
	13	47 217 04	1				
E2	Bracket, choke - assembly (Includes 235778 clip) 5,10,23,500	A-236921	1				
F1	Adapter, carburetor 7,17	45 029 01	1				
F2	Adapter, carburetor to air cleaner 500	45 029 03	1				
G	Screw, sltd. hd. 5/16 - 18 x 1 1,2,4,5,7,8,10,13,15,16, 17,19,22,23,25,27,39,40, 42,46,49,50,500	X-770-1	2				
H	Clamp, hose 7	X-426-9	1				
J	Ring, grip 7,17	31 080 01	1				
K	Spring, thermostat 7,17	45 089 01	1				
L	Cup, choke 7,17	45 109 01	1				
					Use stock of original part number before ordering replacement		
					ALL includes variations 1,2,4,5,7,8,10,13,15,16,17, 19,500 and 501.		
				A1	Carburetor - assembly (Includes B thru M, O & P) (Replaced by 45 053 20) 1,2,4,5,23,27,49	A-237685	1
					Carburetor - assembly (Includes B thru M) 8,10,500	A-237684	1
					13	45 053 06	1
					25,50	45 053 26	1
					39	45 053 44	1
					42	45 053 46	1
					46	45 053 55	1
				A2	Carburetor - assembly (Includes B thru N) 7	45 053 02	1
					17	45 053 04	1
					19	45 053 12	1
					Carburetor - assembly (Replaced by 45 053 50) 22,40	45 053 42	1
					Carburetor - assembly (Includes B thru M) 15	45 053 08	1
					16	45 053 09	1
				A3	Carburetor - assembly (Includes B thru N) 501	45 053 20	1
				B1	Screw, bowl retainer ALL	47 100 04	1
				B2	Gasket, bowl retainer screw ALL	200372	
				C	Bowl ALL	235448	1
				D	Float with lever ALL	200408	1
				E	Pin ALL	200376	1
				F	Gasket, bowl ALL	200375	1
				G	Needle and seat (Use 231555 Carburetor Repair Kit) (For other variations see Index Letter Q) 1,2,4,5,8,10,13,15,500		
					Needle and seat (Use 221519 Carburetor Repair Kit) (For other variations see Index Letter Q) 16,22,23,25,27,39,40,42, 46,49,50		
				H	Spring, main fuel adjusting needle ALL	200383	1
				J	Needle, main fuel adjusting (Use 45 103 01 after engine serial no. 7311133) 1,2,4,5,501	237489	1



5 CARBURETOR

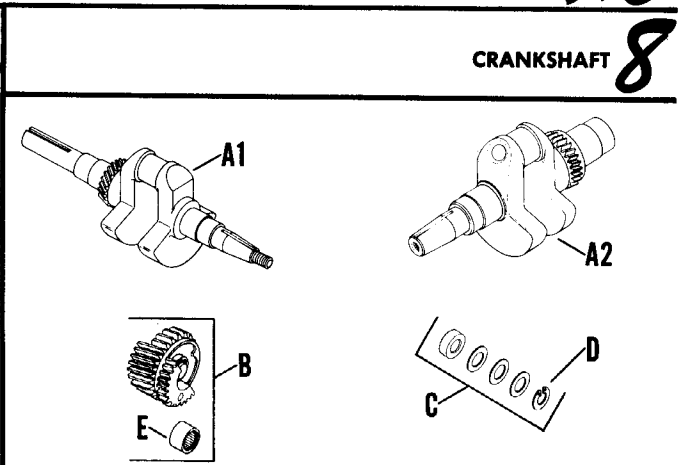
INDEX LTR.	DESCRIPTION VARIATION NUMBER	PART NUMBER	QTY.	INDEX LTR.	DESCRIPTION VARIATION NUMBER	PART NUMBER	QTY.
(J-CONTINUED)				0	Rod, ball joint 1,2,4,5,23,27,49,501	235277	1
	Needle, main fuel adjusting 7,17,22,40	235415	1	P	Body, ball joint 1,2,4,5,23,27,49,501	45 208 03	1
	8,10,13,500	237489	1	Q	Repair kit, carburetor (Includes bowl retainer screw gasket, bowl ring gasket, bowl baffle gasket, needle and seat with gasket, float pin and needle valve) (Use 221519 after engine serial no. 7311133)	231555	1
K	Spring, idle fuel adjusting needle ALL	200380	1		16,19,22,23,25,27,39,40, 42,46,49	221519	1
L	Needle, idle fuel adjusting 1,2,4,5,8,10,13,15,16,19, 23,25,27,39,42,46,49,50, 500,501	275231	1				
	7,17,22,40	235006	1				
M	Gasket, bowl baffle ALL	200439	1				
N	Spring, float 7,17,19,22,40	237917	1				

7 CRANKCASE



INDEX LTR.	DESCRIPTION VARIATION NUMBER	PART NUMBER	QTY.	INDEX LTR.	DESCRIPTION VARIATION NUMBER	PART NUMBER	QTY.
	Use stock of original part number before ordering replacement.			D	Shaft, governor ALL	235125-S	1
A	Gasket, camshaft cover ALL	235025	1	E	Plug, expansion ALL	X-230-11	1
B1	Cover, camshaft 1,2,4,6,10,13,15,17,18,23, 25,26,30,39,40,49,53,67, 68,499	235026	1	F	Bearing, rear ball ALL	235376	1
B2	Cover, camshaft 5,16,21,51	237623	1	G	Plug, pipe (Replaced by 47 139 01) 1,4,10,13,21,25	X-75-31	1
C	Bearing ALL	234866	1		16,26,67,68	X-75-31	2

INDEX LTR.	DESCRIPTION VARIATION NUMBER	PART NUMBER	QTY.
H	Seal, rear oil 1,2,4,5,6,10,13,17,18,21, 23,499	X-379-9	1
	Seal, rear oil 13,15,16,25,26,30,39,40, 49,51,53,68	X-379-9	1
	Seal, rear oil 67	47 032 05	1
J	Insert, valve ALL	230265	2
K	Cylinder Block <i>Service with a Short Block or Miniblock. Refer to the K341 Selection Guide, TP-2076-A.</i>		



INDEX LTR.	DESCRIPTION VARIATION NUMBER	PART NUMBER	QTY.
L	Seal, front oil ALL	X-271-30	1
M	Guide ALL	235007-S	2
N	Shaft, stub ALL (except 15)	236559	2
O	Gasket, bearing plate .010 ALL	235070	A.R.
P	Gasket, bearing plate ALL	235757	1
Q	Bearing, front ball ALL	235376	1
R	Plate, bearing 1,5,13,68	45 156 03	1
	2,4,6,10,16,17,18,21,23 25,26,30,39,40,49,51,53, 67,499	45 156 02	1
S	Plug, cup 15,23,39,40	X-702-3	2
T	Housing, fan 15	45 081 02	1
U	Gasket 15	45 041 01	1
V	Plate, closure 15	45 009 01	1

INDEX LTR.	DESCRIPTION VARIATION NUMBER	PART NUMBER	QTY.
A1	Crankshaft 1	45 014 08	② 1
	2	45 014 01	③ 1
	4	45 014 03	1
	7	45 014 06	1
	17,27	45 014 12	1
	21	45 014 13	1
	26	45 014 06	1
	30	45 014 17	1
	44	45 014 29	1
	45	47 014 02	1
A2	Crankshaft 10	45 014 07	1
	12	45 014 09	1
	22	45 014 14	1
B	Gear - assembly (Includes E) (Order spacer kit no. 47 755 01 when replacement spacers are required.) 1,2,4,7	A-236507	2
	Gear - assembly (Includes E) (Use 47 042 01 after engine serial no. 9641310) 12,21,27,44,45	A-236507	2
C	Kit, spacer (Includes D) 1,2,4,7,12,21,27,44,45	47 755 01	1
D	Retainer 1,2,4,7,12,21,27,44,45	X-269-34	2
E	Bearing, needle 1,2,4,7	236506	2
	Bearing, needle (Use 47 030 01 after engine serial no. 9641310) 12,21,27,44,45	A-236506	2

- ① Generator Set
- ② Standard
- ③ Standard-tapped

9.10

K341

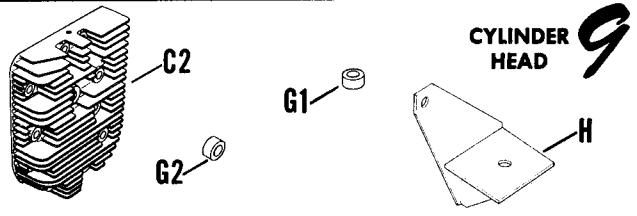
9.10

9 CYLINDER HEAD

INDEX LTR.	DESCRIPTION VARIATION NUMBER	PART NUMBER	QTY.
------------	------------------------------	-------------	------

Use stock of original part number before ordering replacement.

A	Screw, hex. hd. 3/8 - 16 x 1-1/2 1,12	270158	7
	2	270158	10
	3,10,11	270158	9
	4,5,8,9,13,16	270158	8
	22	270158	6
	24	270158	5
	Screw, hex. hd. 3/8 - 16 x 1-3/4 1,3,12,13,24	270721	1
B	Washer 1,3,9,10,11,13,16,22,24	270889	11
	2,4,5,8,12	270889	10
C1	Head, cylinder (Replaced by 45 015 09) 1,2,3,4,5,10,11	45 015 08	1
	Head, cylinder 13	45 015 02	1
	22,24	45 015 09	1
C2	Head, cylinder 8,12	45 015 03	1
	16	45 015 06	1
D	Gasket, cylinder 1,2,3,4,5,8,9,10,11,12,13, 16,22,24	45 052 01	1
E	Strap, lifting 1,3,13	236742	1
	4,5,10	235748	1
	22,24	47 445 01	1
F	Stud 1,4,9	237522	2
	5,8,12	237277	2
	10,11,13,16	237522	1
	22,24	237522	4



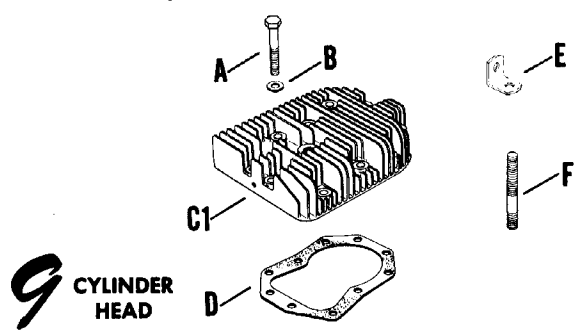
INDEX LTR.	DESCRIPTION VARIATION NUMBER	PART NUMBER	QTY.
------------	------------------------------	-------------	------

G1	Spacer 13/32 I.D. x 5/8 O.D. x 23/32 1,4,9	X-400-71	2
	5,10,11,13,16,22 24	X-400-71	1
G2	Spacer 7/16 I.D. x 3/4 O.D. x 19/64 8,12	X-400-93	2
H	Support, front mount 8,12	45 161 01	1

DIPSTICK 10

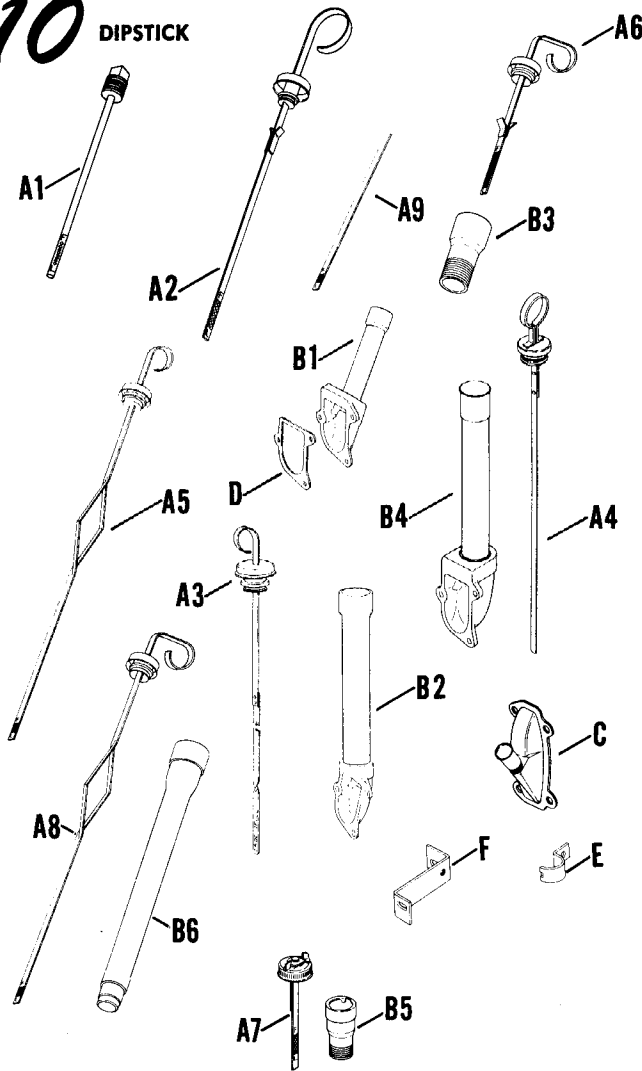
INDEX LTR.	DESCRIPTION VARIATION NUMBER	PART NUMBER	QTY.
------------	------------------------------	-------------	------

A1	Dipstick 2-1/4" blade 1	A-235092	1
A2	Dipstick 10" blade 2	237015	1
A3	Dipstick 14-1/2" blade 3	237052	1
	24	45 272 03	1
A4	Dipstick 7-13/16" blade 4	237620	1
	Dipstick 8-31/32" blade 10	237932	1
	Dipstick 12-3/16" blade 15	47 038 02	1
	Dipstick 13-55/64" blade 17,22	47 038 04	1
	Dipstick 15-7/64" blade 18,20	47 038 03	1
A5	Dipstick 8-9/16" blade 5	237654	1
A6	Dipstick 4-3/8" blade 6	237013	1
A7	Dipstick 4-61/64" blade 200	45 272 01	1
A8	Dipstick 9-1/8" blade 8,21	236837	1
A9	Dipstick 7" blade 23	A-236472	1
B1	Tube, oil fill 4-1/16" 2,5,8	236960	1
B2	Tube, oil fill 9-1/32" 3,24	236964	1



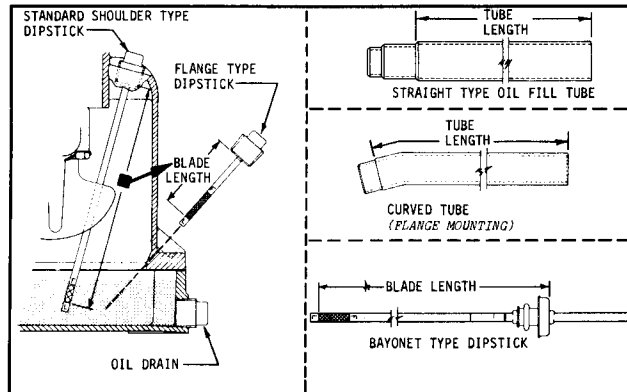
9 CYLINDER HEAD

10 DIPSTICK



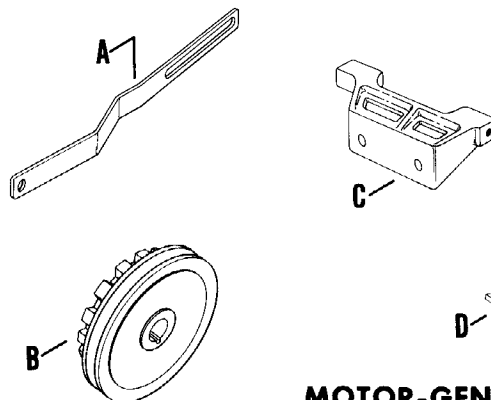
INDEX LTR.	DESCRIPTION VARIATION NUMBER	PART NUMBER	QTY.
B3	Tube, oil fill 1-13/16" 6,23	237012	1
B4	Tube, oil fill 7" 15	47 180 01	1
	Tube, oil fill 9" 17,18,20,22	47 180 03	1
B5	Tube, oil fill 3-11/16" 200	45 538 01	1
B6	Tube, oil fill 8-5/8" 21	47 123 03	1
C	Cover, camshaft 4,10	237623	1
D	Gasket 2,3,5,8,15,17,18,20,22, 24	237064	1
E	Clamp 22	X-785-1	1
F	Bracket, tube (Use after engine serial no. 7158393) 22	47 126 11	1

DIPSTICK AND OIL FILL TUBE DETAILS



11 ELECTRIC START

INDEX LTR.	DESCRIPTION VARIATION NUMBER	PART NUMBER	QTY.
A	Bracket, starter mounting 4	231273	1
B	Pulley, drive 4	231591	1
C	Bracket, starter support 4	235373	1
D	Key, square 4	242168	1



MOTOR-GENERATOR 12-VOLT

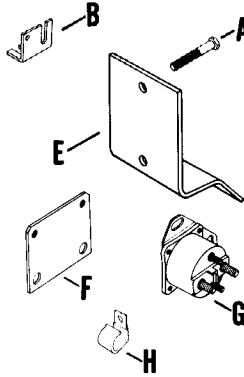
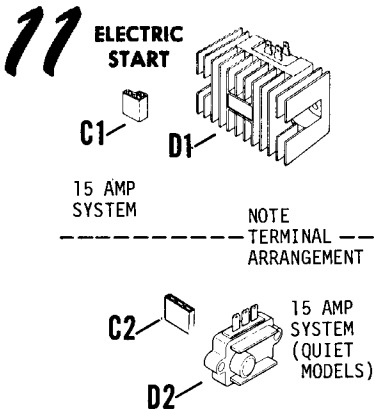
BENDIX DRIVE STARTERS

A number of changes have been made on American Bosch starting motors. When major changes were made, Bosch changed their model designation and Kohler, in turn, changed the starter part number and also established an engine serial number break to indicate when the new model was used. The chart below lists the starter supersessions by both Bosch model and Kohler part number. Following the chart is a parts breakdown of each starter with the starters listed in numerical sequence by Kohler part number.

If the Bosch model cannot be determined, check the serial number of the engine to determine which starter it uses. For example, if starter variation 5 is called for and the engine serial number is 7122456, the chart indicates the Bosch SMH12A201 or Kohler 45 098 01 starter. If the serial number had been 7333700 the chart indicates that the engine used the 12507-29-M030SM or Kohler 45 098 05 starter.

The Bosch model number is found on the end cap of each starter. If the model number can be obtained, locate the corresponding Kohler part number in the chart then find the required replacement part numbers under the parts breakdown for that Kohler starter number.

VARIATIONS	KOHLER PART NO.	AMERICAN BOSCH PART NO.	REPLACED BY		EFFECTIVE AT SERIAL NUMBER
			KOHLER PART NO.	AM. BOSCH NO.	
1,2,5,9,12,99,100,101,102,105,106,108,109,111,115	45 098 01 45 098 03 45 098 05	SMH12A201 SMH12A201	45 098 03 45 098 05 45 098 07	SMH12A201 12507-20-M030SM 16353-23-M030SM	7144003 7333352 8193133
8,93	A-237534	SMH12A4 or 05994-24-M030SM			
3,6,10,98,104,110,113,114	A-237511	SMH12A5 or 05995-21-M030SM			
14,112,116	45 098 06	14925-27-M030SM			



INDEX LTR.	DESCRIPTION VARIATION NUMBER	PART NUMBER	QTY.
F	Bracket, solenoid 12	238251	1
G	Switch, solenoid 12	248846	1
H	Clip 12	48 154 02	1

11 ELECTRIC START

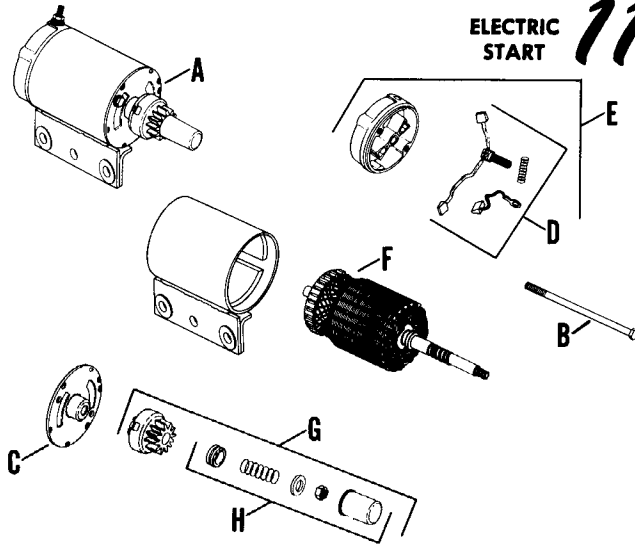
BENDIX DRIVE

INDEX LTR.	DESCRIPTION VARIATION NUMBER	PART NUMBER	QTY.
A	Screw, starter mounting 1,2,5,6,8,9,14,93,99,100,101,102,104,105,106,108,109,114,115,116	234948	2
A	Screw, starter mounting (Use 234380 when fuel tank bracket is mounted with starter mounting screws) 3,10,12,98,110,111,112,113	234948	2
B	Bracket, support 3,6,10,98,104,110,113,114	237239	1
C1	Connector (15 amp) 93,98,99,104,105,106	237429	1
C2	Connector (15 amp) 100,101,102,108,113,114,115,116	236602	1
D1	Rectifier-regulator (15 amp) 93,98,99,104,105,106	237335	1
D2	Rectifier-regulator (15 amp) 100,101,102,108	41 403 01	1
	12,109,110,111,112,113,114,115,116	41 403 05	1
E	Bracket, regulator 98,106	47 126 01	1

INDEX LTR.	DESCRIPTION VARIATION NUMBER	PART NUMBER	QTY.
A	Screw, starter mounting 1,2,5,6,8,9,14,93,99,100,101,102,104,105,106,108,109,114,115,116	234948	2
A	Screw, starter mounting (Use 234380 when fuel tank bracket is mounted with starter mounting screws) 3,10,12,98,110,111,112,113	234948	2
B	Bracket, support 3,6,10,98,104,110,113,114	237239	1
C1	Connector (15 amp) 93,98,99,104,105,106	237429	1
C2	Connector (15 amp) 100,101,102,108,113,114,115,116	236602	1
D1	Rectifier-regulator (15 amp) 93,98,99,104,105,106	237335	1
D2	Rectifier-regulator (15 amp) 100,101,102,108	41 403 01	1
	12,109,110,111,112,113,114,115,116	41 403 05	1
E	Bracket, regulator 98,106	47 126 01	1

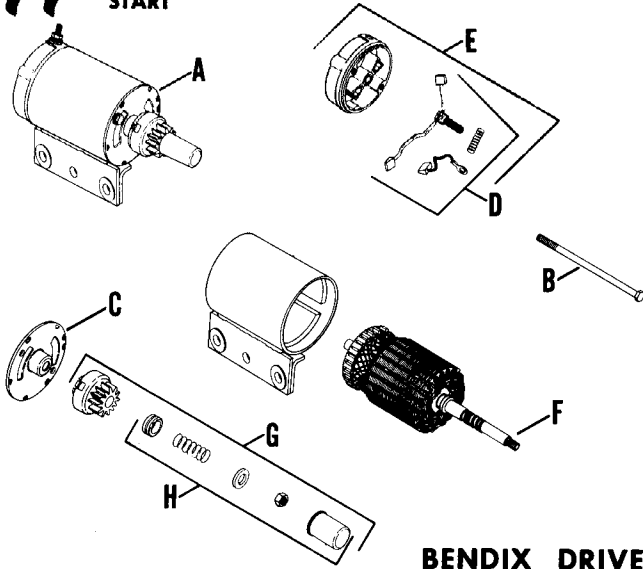
INDEX LTR.	DESCRIPTION VARIATION NUMBER	PART NUMBER	QTY.
A	Starter - assembly (low mount) (SMH12A5 or 05995-21-M030SM) (Includes B thru H)	A-237511	1
B	Bolt, thru w/washer	237646	2
C	Cap, drive end	237361	1
D	Kit, brush	48 755 15	1
E	Cap, commutator end	48 227 04	1
F	Armature	47 170 01	1
G	Kit, drive (Includes H)	47 755 07	1
H	Kit, drive parts	47 755 13	1

INDEX LTR.	DESCRIPTION VARIATION NUMBER	PART NUMBER	QTY.
A	Starter - assembly (high mount) (SMH12A4 or 05994-24-M030SM) (Includes B thru H)	A-237534	1
B	Bolt, thru w/washer	237649	2
C	Cap, D.E.	237650	1
D	Kit, brush	48 755 15	1
E	Cap, commutator end	48 227 04	1
F	Armature	47 170 01	1
G	Kit, drive (Includes H)	47 755 07	1
H	Kit, drive parts	47 755 13	1



ELECTRIC START

11 ELECTRIC START



BENDIX DRIVE

INDEX LTR.	DESCRIPTION VARIATION NUMBER	PART NUMBER	QTY.
------------	------------------------------	-------------	------

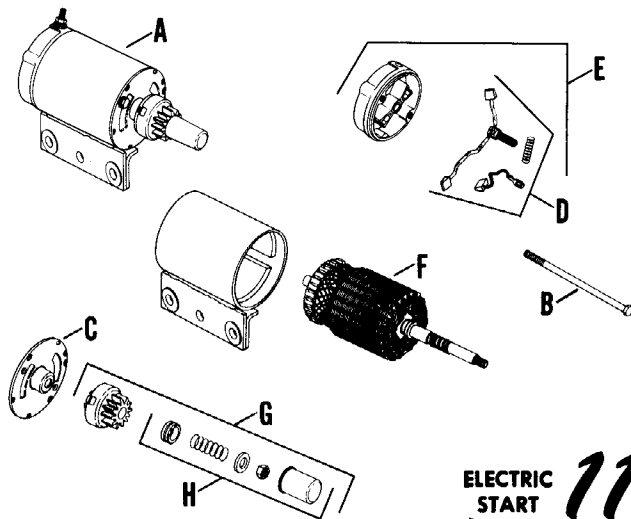
Use stock of original part number before ordering replacement.

A	Starter - assembly (high mount) (SMH12A201)(Includes B thru H) (Replaced by 45 098 05)	45 098 03	1
B	Bolt, thru w/washer	237649	2
C	Cap D.E.	237650	1
D	Kit, brush	48 755 15	1
E	Cap, commutator end	48 227 04	1
F	Armature	45 170 02	1
G	Kit, drive (Includes H)	45 755 03	1
H	Kit, drive parts	47 755 13	1

INDEX LTR.	DESCRIPTION VARIATION NUMBER	PART NUMBER	QTY.
------------	------------------------------	-------------	------

Use stock of original part number before ordering replacement.

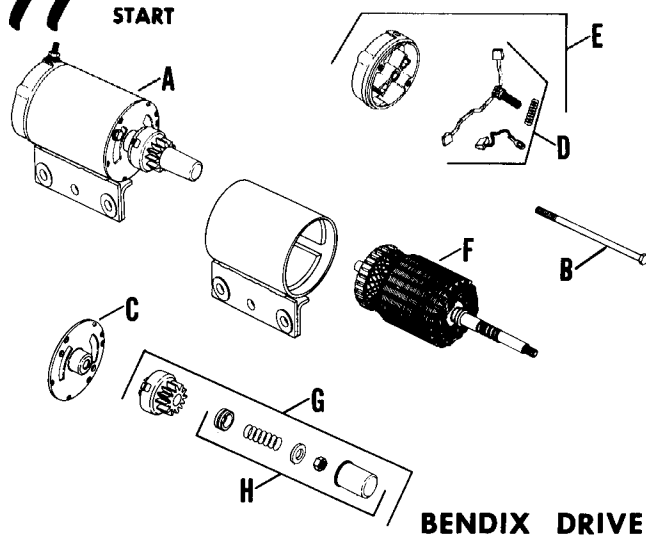
A	Starter - assembly (high mount) (SMH12A201)(Includes B thru H) (Replaced by 45 098 05)	45 098 01	1
B	Bolt, thru w/washer	237649	2
C	Cap D.E.	237650	1
D	Kit, brush (Replaced by 48 755 15)	277613	1
E	Cap, commutator end (Replaced by 48 227 04)	47 755 12	1
F	Armature	45 170 02	1
G	Kit, drive (Includes H)	45 755 03	1
H	Kit, drive parts	47 755 13	1



ELECTRIC START
BENDIX DRIVE

INDEX LTR.	DESCRIPTION VARIATION NUMBER	PART NUMBER	QTY.
A	Starter - assembly (high mount) (12507-29-M030SM) (Includes B thru H)	45 098 05	
B	Bolt, thru w/washer	237649	2
C	Cap D.E.	237650	1
D	Kit, brush	48 755 15	1
E	Cap, commutator end	48 227 04	1
F	Armature	45 170 02	1
G	Kit, drive (Includes H)	47 755 07	1
H	Kit, drive parts	47 755 13	1

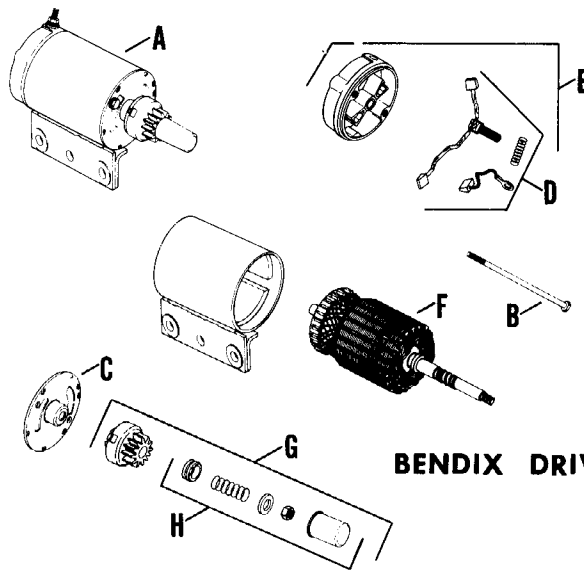
11 ELECTRIC START



BENDIX DRIVE

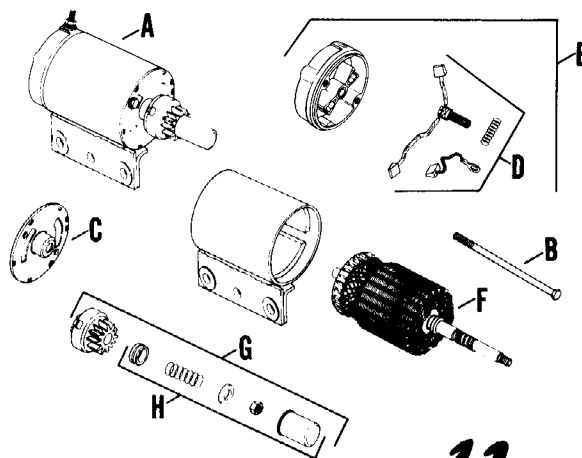
INDEX LTR.	DESCRIPTION VARIATION NUMBER	PART NUMBER	QTY.
A	Starter - assembly (14925-27-M030SM) (Includes B thru H)	45 098 06	
B	Bolt, thru w/washer	237649	2
C	Cap, drive end	237650	1
D	Kit, brush	48 755 15	1
E	Cap, commutator end	48 227 04	1
F	Armature	45 170 02	1
G	Kit, drive (Includes H)	47 749 02	1
H	Kit, drive parts	47 755 13	1

11 ELECTRIC START



BENDIX DRIVE

INDEX LTR.	DESCRIPTION VARIATION NUMBER	PART NUMBER	QTY.
A	Starter - assembly (16353-23-M030SM) (Includes B thru H)	45 098 07	1
B	Bolt, thru w/washer	237649	2
C	Cap, drive end	237650	1
D	Kit, brush	48 755 15	1
E	Cap, commutator end	48 227 04	1
F	Armature	45 170 02	1
G	Kit, drive (Includes H)	47 755 07	1
H	Kit, drive parts	47 755 13	1



BENDIX DRIVE

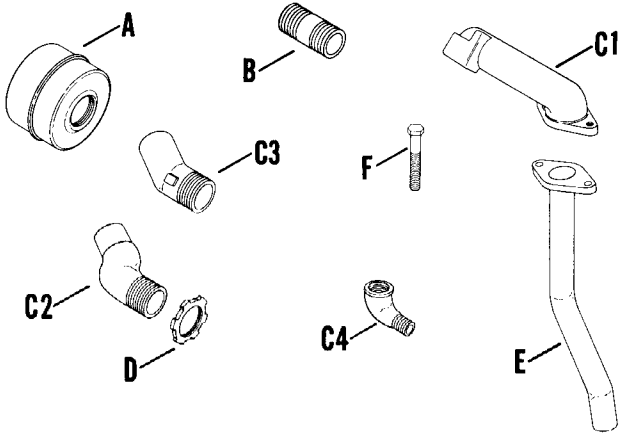
11 ELECTRIC START

12.13

K341

12.13

12 EXHAUST

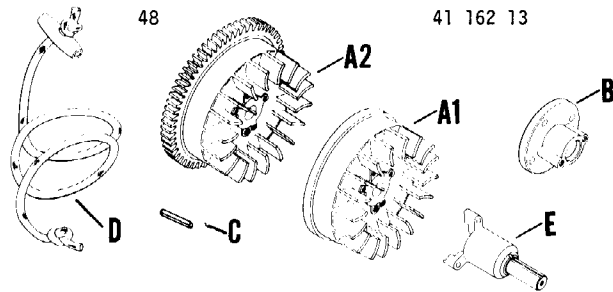


INDEX LTR.	DESCRIPTION VARIATION NUMBER	PART NUMBER	QTY.
A	Muffler 1	45 068 01	1
B	Pipe 1-1/4" I.P. x 3 1	X-210-5	1
C1	Elbow, exhaust 5	45 054 02	1
C2	Elbow, exhaust 7	45 054 04	1
C3	Elbow, exhaust 8	45 054 05	1
C4	Elbow 10	EH-2226	1
D	Nut, lock 7,8,10	45 100 01	1
E	Tube, exhaust 5	45 123 03	1
F	Screw, hex. hd. 5/16 - 18 x 2-1/4 5	230578	1
	Screw, hex. hd. 5/16 - 18 x 1-5/8 5	230992	1

13 FLYWHEEL

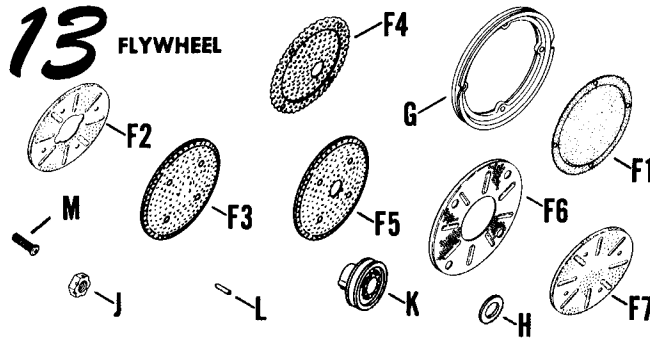
INDEX LTR.	DESCRIPTION VARIATION NUMBER	PART NUMBER	QTY.
Use stock of original part number before ordering replacement.			
A1	Flywheel 1,17,48	A-235908*	1
	5	237297	1
A2	Flywheel (Replaced by 47 025 28) 2,3,4,6,7,8,12,13	47 025 08	1
	Flywheel 10,20,22,23	47 025 02	1

INDEX LTR.	DESCRIPTION VARIATION NUMBER	PART NUMBER	QTY.
(A2-CONTINUED)			
	18,41	A-236707	1
	19	47 025 06	1
	21,28,32,42	47 025 14	1
	26	47 025 05	1
	39,55	47 025 03	1
	33	47 025 24	1
	49	47 025 41	1
	75	47 025 17	1
	Flywheel (Replaced by 47 027 27) 65	47 025 07	1
	Flywheel (Replaced by 47 027 29) 71	47 025 09	1
	Flywheel (Replaced by 47 025 28) 29,51,67,73	47 025 20	1
B	Adapter, front drive 2,49,67	237373	1
C	Key (Replaced by X-286-17) 1,2,3,4,5,6,7,8,10,12,13, 17,18,19,20,21,22,23,26, 28,32,42	X-286-15	1
	Key 29,33,39,41,48,49,51,55, 65,67,71,73,75	X-286-17	1
D	Rope (Replaced by A-230099) ALL	A-275181	1
E	Shaft, front drive 6,21	237350	1
	10,28	45 144 05	1
	51	45 144 16	1
	20,22	235377	1
	29	235954	1
F1	Screen, grass 1,41	235208	1
	48	41 162 13	1



FLYWHEEL **13**

*REVIEW PARTS BULLETIN NO. 129 BEFORE ORDERING

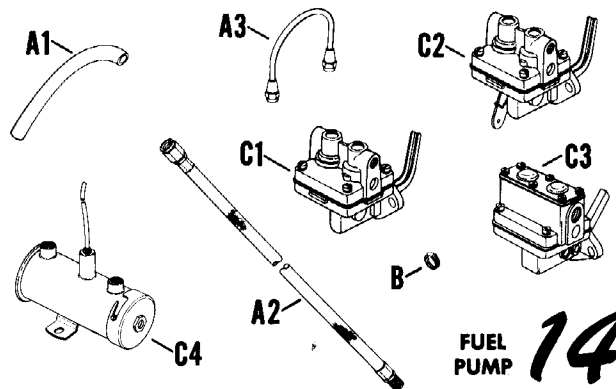


INDEX LTR.	DESCRIPTION VARIATION NUMBER	PART NUMBER	QTY.
F2	Screen, grass 2,49,67	237372	1
F3	Screen, grass 3,7,18,32,71,75	236688	1
F4	Screen, grass 4,10,21,22,28,29,42,51	237029	1
F5	Screen, grass 5,19,73	237284	1
	23	237708	2
F6	Screen, grass 6	47 162 04	1
	Screen, grass 17	237377*	1
	Screen, grass 65	47 162 10	1
F7	Screen, grass 8	47 162 03	1
G	Pulley, electric start (Single groove) 1,12,41,48	235207	1
H	"O" ring 10,28	271463	1
J	Nut, lock 5/8 - 18 1,2,3,4,5,6,7,8,10,12,13, 17,18,19,20,21,22,23,26, 28,29,32,33,39,41,42,48, 49,51,55,65,67,71,73,75	X-119-14	1
K	Cup, drive 5,19	231817	1
L	Pin, dowl 5,19	X-56-7	1
M	Screw, T.H. 1/4-20x5/8 75	47 086 05	4

14 FUEL PUMP

INDEX LTR.	DESCRIPTION VARIATION NUMBER	PART NUMBER	QTY.
Use stock of original part number before ordering replacement.			
A1	Line, fuel (pump to carburetor) 5-1/2 rubber 1,2,3,7,9,12,14,15,17,20, 21,22	X-697-1	1
	5,24,27,28,36	X-807-3	1

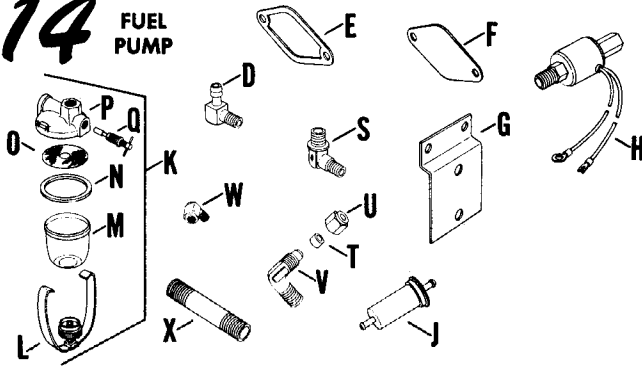
INDEX LTR.	DESCRIPTION VARIATION NUMBER	PART NUMBER	QTY.
(A1-CONTINUED)			
	25,35	X-807-6	1
	41	X-810-1	1
A2	Line, fuel 14 16	45 353 01	1
A3	Line, fuel 19,32	45 516 05	1
B	Clamp, hose (rubber fuel line only) 1,2,3,5,7,9,12,14,15,17, 20,21,22,41	X-426-9	2
	Clamp, hose 11,24,25,27,28,35,36	X-426-9	4
C1	Pump, fuel (without prime lever) 1,3,7,12,14	A-235845	1
	Pump, fuel (without prime lever) (Includes gasket) 20,22	47 559 03	1
	Pump, fuel (without prime lever) 27,28,36,41	47 559 04	1
C2	Pump, fuel (with prime lever) 2,5,17	A-235807	1
	Pump, fuel (with prime lever) (Includes gasket) 21,24	47 559 01	1
C3	Pump, fuel (without prime lever) 9,15,19,25,32,35	A-236205	1
C4	Pump, fuel 11,16	45 393 03	1
D	Elbow, hose 90° (3/16" I.D. hose) (Use X-391-1 prior to serial no. 5155716) 1	X-391-11	1
	Elbow, hose 90° (1/4" I.D. hose) 1,3,5,22,24,41	X-391-1	1
	2,7,9,12,14,15,17,20,21, 25,27,28,35,36	X-391-1	2



FUEL PUMP 14

*REVIEW PARTS BULLETIN NO. 129 BEFORE ORDERING

14 FUEL PUMP



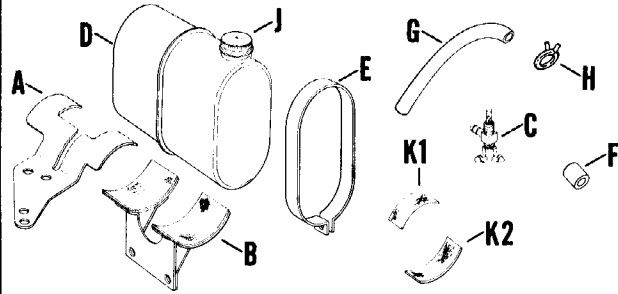
INDEX LTR.	DESCRIPTION VARIATION NUMBER	PART NUMBER	QTY.
S	Elbow, connector 5	231510	1
T	Sleeve 5	220547	1
U	Nut 19	220786	1
V	Elbow, oil line connection 19,32	X-447-10	2
W	Elbow, street 19,32	48 283 03	1
X	Pipe 19,32	X-217-6	1

INDEX LTR.	DESCRIPTION VARIATION NUMBER	PART NUMBER	QTY.
------------	------------------------------	-------------	------

(D-CONTINUED)

	Elbow, hose 90° (3/16" I.D. hose) (Use X-391-1 prior to serial no. 5155716) 22,24	X-391-11	1
E	Gasket, fuel pump pad 1,2,3,4,5,7,9,12,14,17,19, 20,21,24,25,27,28,32,35, 36,41	47 041 04	1
	Gasket, fuel pump insulator 15	277649	1
F	Cover, pump pad 4	240282	1
G	Bracket, fuel pump 11,16	45 126 02	1
H	Solenoid, fuel 16	47 462 02	1
	19,32	47 462 04	1
J	Filter 11	45 050 01	1
K	Filter, fuel - assembly (Includes L thru Q) 16	A-210101	1
L	Bail 16	A-210477	1
M	Bowl, glass 16	210467	1
N	Gasket, bowl 16	210468	1
O	Screen 16	210479	1
P	Top, filter 16	210478	1
Q	Valve, needle 16	A-210480	1
R	Repair kit (Use only with pumps having letter "B" stamped on body)(Includes diaphragm spring, valve assembly, valve gasket and pulsator diaphragm) 1,2,3,12,14,17	230675	1
	Repair kit (Use only with pumps having letter "B" stamped on body)(Includes diaphragm spring, valve assembly, valve gasket and pulsator diaphragm) 9,15	236387	1

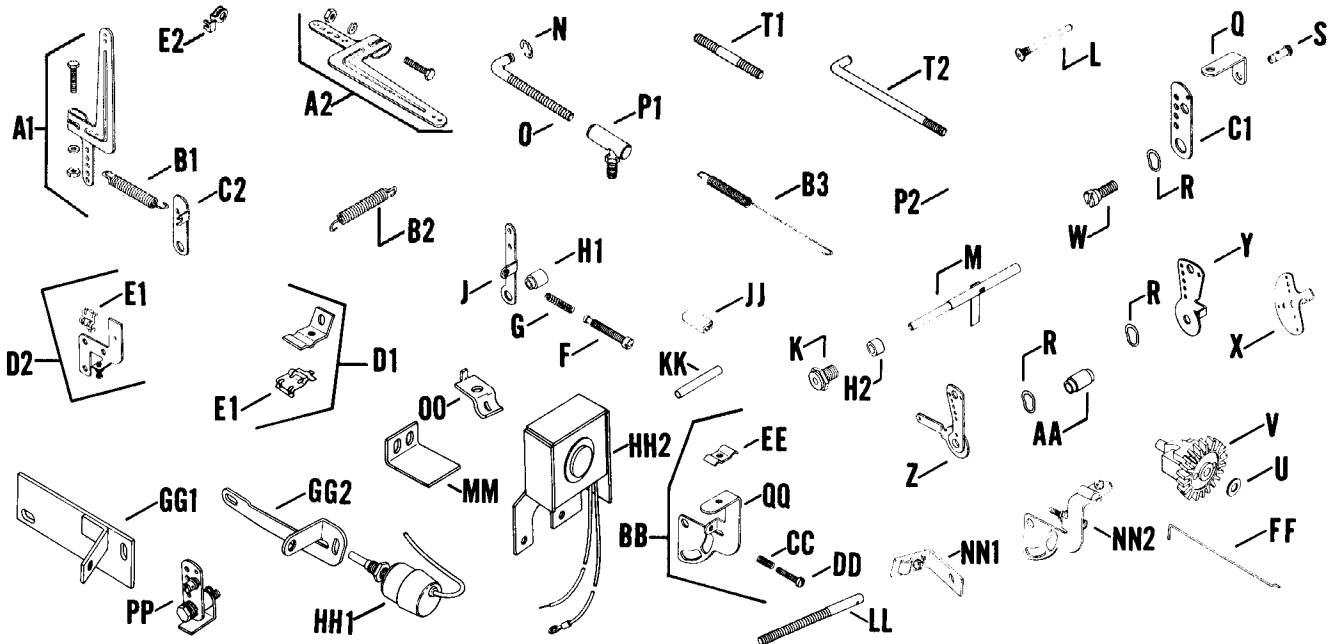
15 FUEL TANK



INDEX LTR.	DESCRIPTION VARIATION NUMBER	PART NUMBER	QTY.
	Use stock of original part number before ordering replacement.		
A	Bracket, upper tank (Replaced by 47 217 10) 1,2,5,202	45 217 01	1
	Bracket, upper tank 9,10,11	45 066 03	1
	Bracket, upper tank - assembly 9,10,11	47 217 10	1
B	Bracket, lower tank (Replaced by 47 217 11) 1,200,202	236934	1
	Bracket, lower tank 5,9,10,11,203	47 066 02	1
	Bracket, lower tank - assembly 9,10	47 217 11	1
C	Valve, shut-off (Use 47 462 01 after engine serial no. 5155715) 1,2,202	220764	1
	Valve, shut off 5,9,10,11	47 462 01	1
D	Tank, fuel 1.5 gallon (Includes cap) 1,2,9,10,11,202	235164	1
	Tank, fuel 1.5 gallon (Includes cap) 5	47 065 02	1
E	Strap (1.5 gallon tank) (Includes 1 screw X-5-26 and 1 nut X-101-8) 1,2,5,9,10,11,202	237639	2
F	Spacer 1,9	X-400-89	2

INDEX LTR.	DESCRIPTION VARIATION NUMBER	PART NUMBER	QTY.	INDEX LTR.	DESCRIPTION VARIATION NUMBER	PART NUMBER	QTY.
G	Line, fuel 20 rubber (Replaced by X-809-1) 1,2,5,9,10,11,202	X-788-1	1	J	Cap, tank 1,2,202	236655	1
H	Clamp, hose (Use X-426-9 on engines with serial no. 5155716 thru 6173117--engines after serial no. 6173117 do not require clamps) 1,2,202	X-426-9	2		Cap, tank 9,10	220956	1
				K1	Webbing, upper tank 9,10,11	X-295-35	2
				K2	Webbing, lower tank 5,9,10,11,203	X-295-25	2

17 GOVERNOR



INDEX LTR.	DESCRIPTION VARIATION NUMBER	PART NUMBER	QTY.	INDEX LTR.	DESCRIPTION VARIATION NUMBER	PART NUMBER	QTY.
	Use stock of original part number before ordering replacement.			B2	Spring, governor 9,10,23,24,27,41,42	235495	1
A1	Lever, governor (Includes 1 washer X-25-72, 1 nut X-81-1 and 1 screw X-776-1) 1,2,3,4,5,7,19,24,29,40, 44,45,48	A-237653	1	B3	Spring, governor 14,16,18,20,21,37,38	47 091 01	1
	14,16,18,20,21,23,28,37, 38	45 087 03	1	C1	Bracket, speed control 1,2,7,9,10,23,28,40,41, 42,44,45	235086	1
	27	A-237444	1		5	236249	1
	41	45 087 06	1	C2	Bracket, speed control 4,19,48	236413	1
A2	Lever, governor (Includes 1 washer X-25-72, 1 nut X-81-1 and 1 screw X-776-1) 9	45 087 01	1	D1	Bracket, throttle - assembly (Includes 235603 clip) 2,44	A-237559	1
	10	45 087 02	1	D2	Bracket, throttle - assembly (Includes 1 clip X-689-1, 1 screw X-51-11 and 1 nut X-72-4) 16	47 217 02	1
B1	Spring, governor 1,2,3,4,5,7,19,28,29,40, 44,45	235496	1	E1	Clip 2,44	235603	1
	24,27	45 091 01	1		16	X-689-1	1
	41,42	230117	1	E2	Clip, retainer 10	241409	1
	48	236261	1				

INDEX LTR.	DESCRIPTION VARIATION NUMBER	PART NUMBER	QTY.	INDEX LTR.	DESCRIPTION VARIATION NUMBER	PART NUMBER	QTY.
F	Screw, adjusting 4,19,48	237574	1	U	Washer, thrust 1,2,3,4,5,7,9,10,14,16,18, 19,20,21,23,24,27,28,29, 37,38,40,41,42,44,45,48	237022	1
G	Spring 4,19,48	237573	1	V	Gear, governor 1,2,3,4,5,7,14,16,18,19, 20,21,28,29,37,38,40,44, 45,48	A-235743-S	1
H1	Spacer 1,2,5,28,44,45	235085	1		Gear, governor 9,10,23,24,27,41,42	A-236294-S	1
	4,19,48	236415	1	W	Screw, shoulder #10 - 24 x 1/2 7,9,10,23,24,27,40,41,42	235477	1
	7,9,10,23,40,41,42	45 112 01	1	X	Lever, speed control 16	47 121 01	1
	16	47 112 01	1	Y	Lever, throttle control 14,18,20,21	47 090 04	1
H2	Spacer 1,2,3,4,5,7,9,10,14,16, 18,19,20,21,23,24,27,28, 29,37,38,40,41,42,44,45,48	X-400-80	1		37	47 090 10	1
J	Lever, adjusting screw 4,48	237833	1	Z	Lever, choke control 14,18,20,21	47 090 06	1
	19	237069	1		37	47 090 06	1
K	Bushing 1,2,3,4,5,7,9,10,14,16, 18,19,20,21,23,24,27,28, 29,37,38,40,41,42,44,45,48	235476	1	AA	Spacer 14,18,20,21,37	47 112 02	1
L	Pin, governor stop 1,2,3,4,5,7,9,10,14,16, 18,19,20,21,23,24,27,28, 29,37,38,40,41,42,44,45,48	231355	1		38	47 112 03	1
M	Shaft, governor cross 1,2,3,4,5,7,9,10,14,16, 18,19,20,21,23,24,27,28, 29,37,38,40,41,42,44,45,48	237455	1	BB	Bracket, control - assembly (Includes CC,DD,EE & QQ) 14,18,20,21,37	47 217 05	1
N	Retainer, rod 1,2,3,4,5,9,10,14,18,20, 21,24,27,29,37,38,44,45,48	235278	1	CC	Spring 14,18,20,21,37,38	232555	1
	7,16,23,28,40,41,42	235278	2	DD	Screw 14,18,20,21,37,38	232556	1
O	Rod, ball joint 1,2,3,4,5,9,10,14,16,18, 20,21,23	235277	1	EE	Clamp 14,18,20,21,37	47 237 02	1
	7,40,41,42	235277	2	FF	Linkage, choke 14,18,20,21,37	47 079 01	1
P1	Ball joint 1,2,3,4,5,7	237130	1	GG1	Bracket, solenoid 16	45 126 06	1
	Ball joint 19,40	237130	2	GG2	Bracket, solenoid 18,20	45 126 05	1
P2	Ball joint 9	45 208 03	2	HH1	Solenoid (Replaced by 45 435 02) 16,18	45 435 01	1
	10,14,16,18,20,21,23,28, 37,38,41,42	45 208 03	1		Solenoid 20	45 435 02	1
Q	Bracket, adjusting screw 1,2,5,7,9,10,23,24,27,28, 40,41,42,44,45	235084	1	HH2	Solenoid 27	45 435 03	1
R	Washer, tension 1,2,4,5,7,9,10,16,19,23, 28,37,38,40,41,42,44,45,48	275690	1	JJ	Block, terminal 20	277563	1
	14,18,20,21	275690	2	KK	Damper, spring 23,42	45 263 01	1
S	Clamp, swivel wire 1,2,5,21	231052	1	LL	Rod, speed control 24,27	236258	1
	28,37	48 237 02	1	MM	Bracket, governor lever 27	237117	1
T1	Rod, throttle 9	X-352-12	1	NN1	Bracket, throttle 29	47 126 14	1
	19	235078	1		38	47 126 12	1
	28,37,38	271151	1	NN2	Bracket, throttle 38	47 126 13	1
T2	Rod, throttle 10	45 411 01	1				

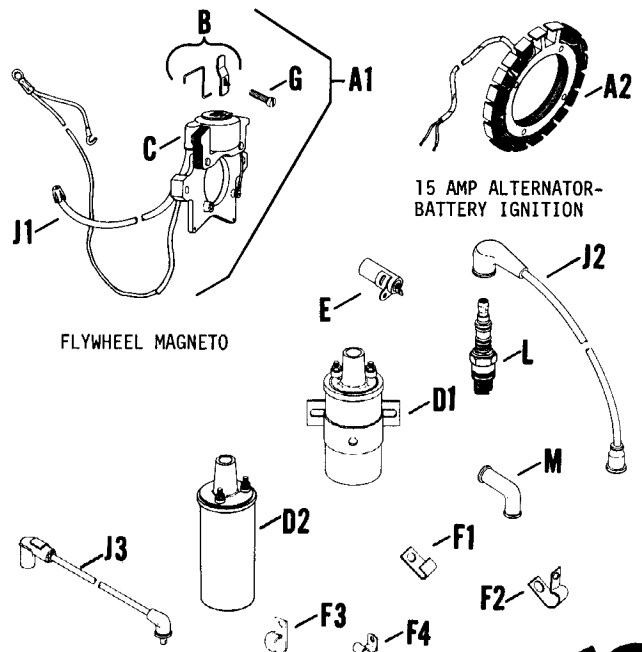
INDEX LTR.	DESCRIPTION VARIATION NUMBER	PART NUMBER	QTY.
00	Clamp, choke	235778	2
PP	Bracket, control - assembly (Includes C1, H1, Q & R) 44,45	A-236896	1
QQ	Bracket, control 37	47 126 09	1
RR	Lever, governor - assembly (Includes 237117 and A-237444) NOT ILLUSTRATED	45 087 04	1

18 IGNITION

Use stock of original part number before ordering replacement.

A1	Stator, magneto - assembly (Includes B,C, G & J1) 1,43,47,53	A-235741	1
	Stator, magneto - assembly (Includes B,C & J1) 38	47 085 05	1
A2	Stator 2,4,5,7,9,18,19,27,30,33,45,46,49,54,55,56,57,64,66,67,78,86,87	237878	1
	Stator 12,21,32	237716	1
	Kit, stator 34,36,37,41,42,48	237878	1
B	Kit, coil clip 1,38,43,47,53	237919	1
C	Coil (Replaced by 238059 kit) 1,43,47,53	232901	1
	38	47 145 02	1
D1	Coil, ignition 2,4,5,6,7,8,9,12,18,19,21,27,30,32,33,34,36,37,41,42,45,46,48,49,54,55,56,57,64,66,67,78,86,87	231281	1
D2	Coil, ignition 16	237256	1
E	Condenser (Replaced by 47 147 01) 1,43,47	235786	1
	Condenser 2,4,5,6,7,8,9,12,16,18,19,21,27,30,32,33,34,36,37,41,42,45,46,48,49,54,55,56,57,64,66,67,78,86,87	230722	1
	Condenser 38,53	47 147 01	1
F1	Clip ALL	275303	1
F2	Clip 1/2 wide 1,38,43,47,53	275183	1

INDEX LTR.	DESCRIPTION VARIATION NUMBER	PART NUMBER	QTY.
	(F2-CONTINUED)		
	Clip 7/16 wide 1,2,4,5,7,9,12,18,19,21,27,30,32,33,34,36,37,41,42,43,45,46,47,48,53,54,55,56,57,64,66,67,78,86,87	X-728-1	1
	38	234531	1
F3	Clip 2,12,19,21,30,32,41	234511	1
	Clip (plastic coated) 19,36,37,42,47,67,78	47 154 01	1
	49,57	48 154 02	1
	Clip (plastic coated) 27,33,48,64,68	47 154 01	1
F4	Clip (plastic coated) 6	237601	1
G	Screw 1,43,47,53,87	234423	1
H	Gasket, cover (Replaced by 52 041 11) ALL	220174	1
J1	Cable, hi-tension 1,38,43,47,53	234424	1
J2	Kit, hi-tension lead 2,4,5,6,7,8,9,12,16,18,21,27,30,32,41,42,45,46,47,54,55,56,57,64,66,67,78,86,87	238057	1
J3	Cable, hi-tension 13 19,33,36,37,48	47 348 02	1



IGNITION 18 BREAKER IGNITION

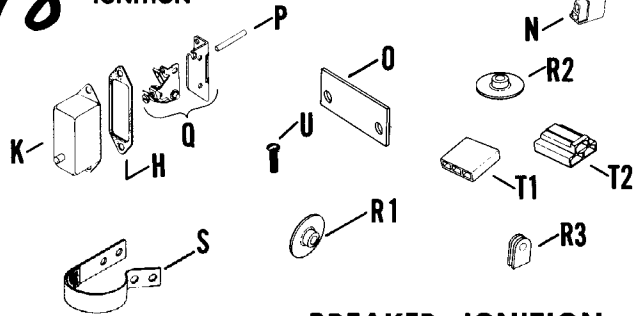
18.19

K341

18.19

18

IGNITION



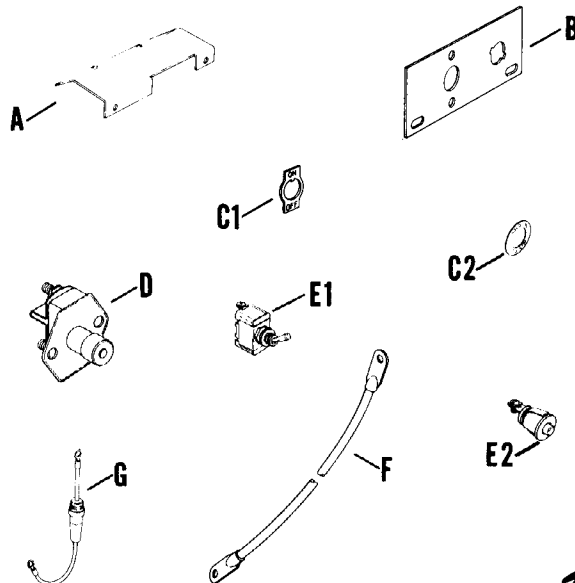
BREAKER IGNITION

INDEX LTR.	DESCRIPTION VARIATION NUMBER	PART NUMBER	QTY.
K	Cover, breaker ALL (except 47,49,53,54,55,56,57,64,66,67,78)	A-220136	1
	47,49,53,54,55,56,57,64,66,67,78,86,87	232535	1
L	Plug, spark 1,4,6,7,9,12,18,19,21,27,30,32,34,36,37,41,57,87	235040-S	1
	2,5,8,16,33,38,42,43,45,46,47,48,49,53,54,55,56,64,66,67,78,86	235041-S	1
M	Boot, spark plug 1,38,43,47,53	220791	1
N	Connector 19,27,33,36,37,41,42,48,67,78,86	48 155 02	1
O	Plate, coil 33,36,37,42,47,48,64,67,87	234323	1
P	Rod, breaker ALL	47 411 04	1
Q	Breaker (Replaced by 47 150 03) (When installing 47 150 03 breaker, on engines below serial number 13007371, always install new push rod 47 411 04.) ALL (except 49)	47 150 01	1
	Breaker 49	48 150 02	1
R1	Grommet, spark plug 16	45 313 01	1
R2	Grommet, spark plug 19,21,27,33,36,37,42,48,49,64,67	47 313 01	1
R3	Grommet 38,47,53	220297	1
S	Bracket, coil 16	237253	1
T1	Connector 49,54,56,64,67	236602	1
T2	Connector 57	236473	1
U	Screw, R.H. 10-24x3/4 87	X-778-1	4

INSTRUMENT PANEL

19

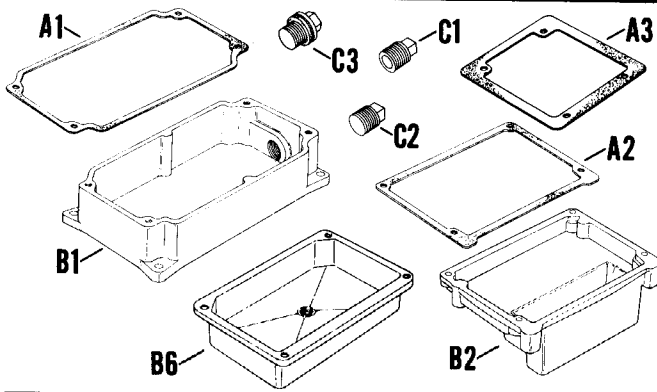
INDEX LTR.	DESCRIPTION VARIATION NUMBER	PART NUMBER	QTY.
A	Bracket, panel 1,2,5	237386	1
	12,14	47 126 16	1
B	Panel, switch 1,2,12,14	237594	1
	5	236595	1
C1	Plate, switch instruction 1,2,14	220725	1
C2	Plate, switch instruction 5	236654	1
D	Switch, starter 1,2,5,14	230442	1
	12	237851	1
E1	Switch, ignition 1,2,14	238011	1
E2	Switch, ignition 5	236435	1
F	Cable, battery 12	236732	1
G	Holder, fuse 14	41 323 02	1



INSTRUMENT PANEL

19

21 OIL PAN



INDEX LTR.	DESCRIPTION VARIATION NUMBER	PART NUMBER	QTY.
------------	------------------------------	-------------	------

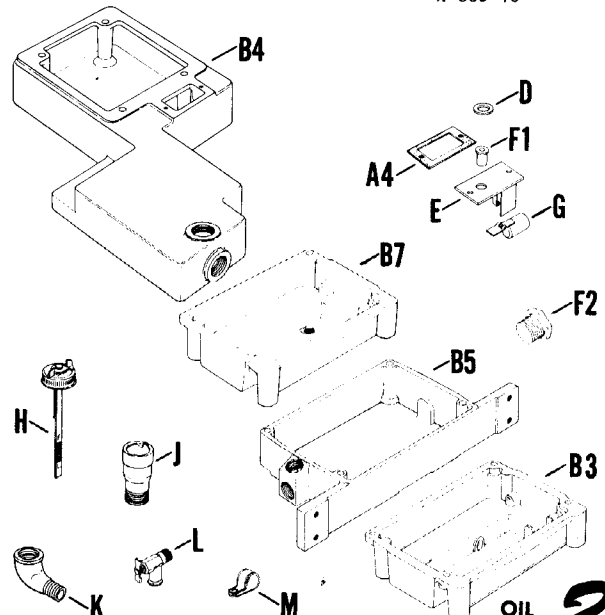
Use stock of original part number before ordering replacement.

INDEX LTR.	DESCRIPTION VARIATION NUMBER	PART NUMBER	QTY.
A1	Gasket, oil pan 1,2,5,8,17	235057	1
A2	Gasket, oil pan 3,4,7,12,13,15,18,20	235353	1
	Gasket, oil pan 23	47 041 07	1
A3	Gasket, oil pan 9,10	45 041 02	1
A4	Gasket, oil level indicator 9,10	45 041 05	1
B1	Pan, oil (Side drain) 1,17	235115	1
	5	237763	1
	Pan, oil (Bottom drain) 2	235147	1
	Pan, oil (Rear drain) 8	235305	1
B2	Pan, oil (Bottom drain) 3,12	237503	1
B3	Pan, oil (Bottom drain) 7	47 199 01	1
	Pan, oil (Side drain) 13	47 199 04	1
	18	47 199 02	1
B4	Pan, oil 9,10	45 199 01	1
B5	Pan, oil 15	45 199 03	1
B6	Pan, oil 23	45 199 07	1
B7	Pan, oil 20	47 199 08	1
C1	Plug, drain 3/4 sq. hd. 1,8	X-75-6	1

INDEX LTR.	DESCRIPTION VARIATION NUMBER	PART NUMBER	QTY.
------------	------------------------------	-------------	------

(C1-CONTINUED)

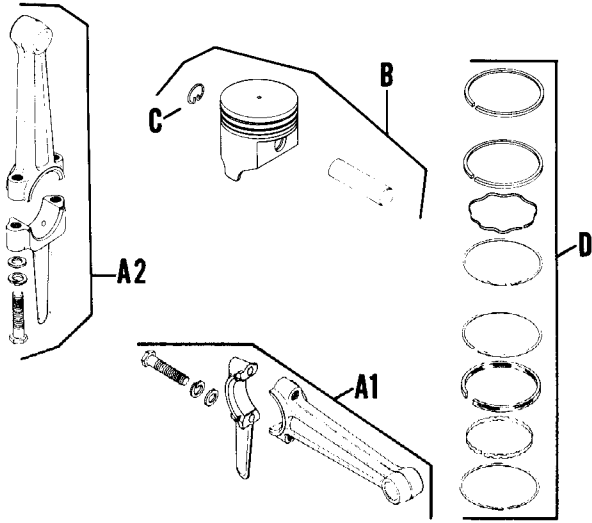
	Plug, drain 3/4 sq. hd. (Use prior to generator set serial no. 440033) 10	X-75-6	1
C2	Plug, drain 3/8 sq. hd. 2,5,12,23	X-75-10	1
	Plug, drain 1/4 sq. hd. 7,13,18,20	X-75-2	1
C3	Plug, drain 1 hex. hd. 3	X-708-1	1
	15	X-75-32	1
D	Washer, insulated 9,10	243321	1
E	Cover, switch 9,10	45 096 04	1
F1	Bushing, insulator 9,10	45 158 01	1
F2	Bushing, (Use after generator set serial no. 440032) 10	X-202-23	1
G	Float 9,10	45 298 01	1
H	Dipstick 3-51/64" blade 9,10	45 272 01	1
J	Tube, oil fill 9,10	45 538 01	1
K	Elbow, oil drain (Use prior to generator set serial no. 440033) 10	SA-472	1
L	Valve, drain (Use after generator set serial no. 440032) 10	238123	1
M	Clip 10	X-339-15	1



OIL PAN 21

22 PISTON AND ROD

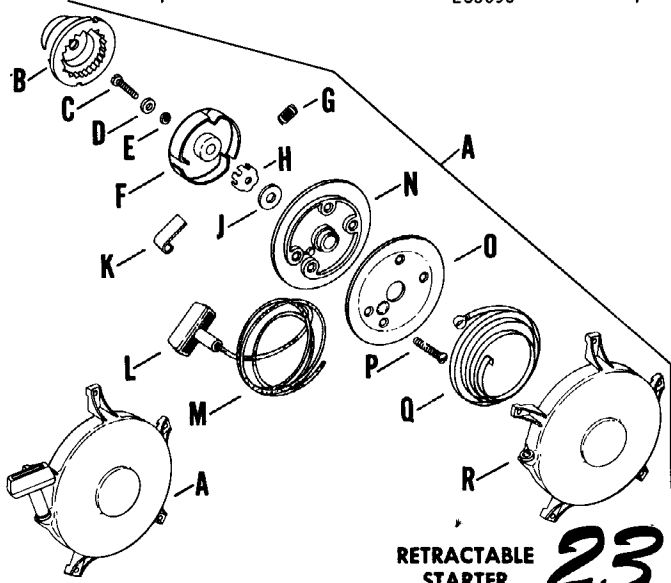
RETRACTABLE STARTER **23**



INDEX LTR.	DESCRIPTION VARIATION NUMBER	PART NUMBER	QTY.
A	Starter, recoil - assembly (Includes C thru R)	A-235943	1
B	Cup	235685	1
C	Screw, hex. hd. #10 - 32 x 5/8	231691	1
D	Washer	231690	1
E	Washer	231693	1
F	Retainer	231699	1
G	Spring, retainer	232525	1
H	Brake	231689	1
J	Washer, thrust	231692	1
K	Dogs	231695	3
L	Handle	234452	1
M	Rope #6 - 66"	231686	1
N	Pulley	231697	1
O	Sheave	231685	1
P	Screw	231683	4
Q	Spring, recoil	231705	1
R	Housing	235696	1

INDEX LTR.	DESCRIPTION VARIATION NUMBER	PART NUMBER	QTY.
Use stock of original part number before ordering replacement.			
A1	Rod, connecting	45 067 12	1
	Rod, connecting - .010 U.S.	45 067 14	
	Rod, connecting	45 067 16	1
	Rod, connecting - .010 U.S.	45 067 17	
A2	Rod, connecting	45 067 01	1
	Rod, connecting - .010 U.S.	45 067 02	
B	Piston assembly - Std.	45 074 31	1
	Piston assembly - .003	45 074 32	
	Piston assembly - .010	45 074 33	
	Piston assembly - .020	45 074 34	
	Piston assembly - .030	45 074 35	
	Piston assembly - Std.	45 074 41	1
	Piston assembly - .003	45 074 42	
C	Retainer (Replaced by 47 018 01)	235004	2
D	Ring Set - Std. & .003	45 108 01	1
	Ring Set - .010	45 108 02	
	Ring Set - .020	45 108 03	
	Ring Set - .030	45 108 04	

(Note: All piston assemblies contain piston, piston pins and retainers.)



RETRACTABLE STARTER **23**

24.31

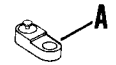
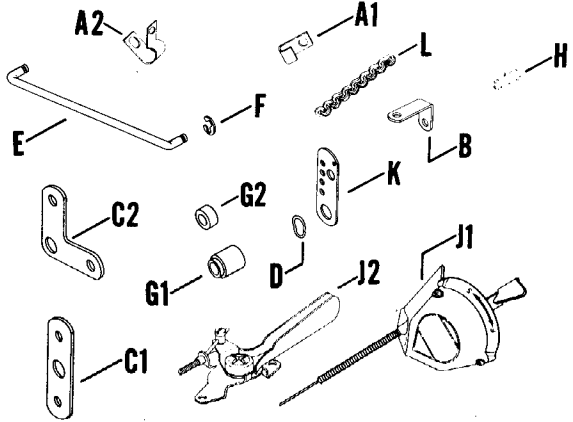
K341

24.31

24 REMOTE THROTTLE

HIGH TEMPERATURE CUTOUT

31



INDEX LTR.	DESCRIPTION VARIATION NUMBER	PART NUMBER	QTY.
A	Cutout, hi-temperature 1,2	230989	1

SHORT BLOCK 41

INDEX LTR.	DESCRIPTION VARIATION NUMBER	PART NUMBER	QTY.
A1	Clip, cable 2	231285	2
A2	Clip, cable 5,6	275329	1
B	Bracket, adjusting screw 4,6,9	235084	1
C1	Bellcrank 4	235550	1
	9	236752	1
C2	Bellcrank 6	235316	1
D	Washer, tension 4,6,9	275690	2
E	Rod, throttle 4,9	235756	1
	6	235317	1
F	Retainer, ring 4,6,9	235278	2
G1	Spacer 4,6,9	235085	2
G2	Spacer 7	265861	1
H	Clamp, swivel wire 4,6	231052	1
	9	48 755 10	1
J1	Lever, throttle (5-5/8 cable) 3	235160	1
J2	Lever, throttle (5" cable) 7	237183	1
K	Bracket, speed control 4,6,9	235086	1
L	Chain 7	236262	1

ACCESSORIES

Spec No.	Description	Part No.	Spec No.	Description	Part No.	Spec No.	Description	Part No.
71111	Wing nut Spacer Cover, air cleaner Element Base, air cleaner Gasket Gasket, air horn	X-276-7 X-400-71 45 082 01 45 083 02 45 094 01 235353 275341	71181	Wing nut Gasket Base, air cleaner Regulator-rectifier Element Cover, air cleaner Element Stud	X-276-7 AC-1787 235123 237335 277138 277142 277593 280151	71227a	Screw (4) Screen, grass	X-166-2 47 162 12
71138	Wing nut Gasket Cleaner, air Stud	X-276-7 AC-1787 151834 210186-1	71183	Regulator rectifier Connector	237335 237429	71242a	Screw (4) Screen, grass	47 086 05 47 162 12
71143	Regulator rectifier	237335	71187	Wing nut Spacer Gasket, air horn Cover, air cleaner Element Base, air cleaner	X-276-7 X-400-71 275341 45 082 01 45 083 02 45 094 01	71262	Muffler	45 068 01
71151	Regulator rectifier	237335				71294a	Wing nut Gasket, air horn (2) Cover, air cleaner Element Base, air cleaner	X-276-7 275341 45 082 01 45 083 02 45 094 01
71169	Screen, grass	45 162 02				71316	Muffler	45 068 01
71178	Wing nut Gasket, air horn Gasket Cover, air cleaner Element Element Base, air cleaner	X-276-7 275341 277093 45 082 01 45 083 01 45 083 02 45 094 01	71207A	Wing nut Gasket, air horn Cover, air cleaner Element Base, air cleaner	X-276-7 275341 45 082 01 45 083 02 45 094 01	71326	Muffler	45 068 01
						71327	Spacer Screw (4)	X-400-71 47 086 08

K341

GASKET SET - 45 004 03 (WITHOUT SEALS)		GASKET SET - 45 755 04 (WITH SEALS)	
Part No.	Description	Part No.	Description
52 041 11	Gasket, breaker cover	X-271-30	Seal, front oil
231032	Seal, breather	X-379-9	Seal, rear oil
235025	Gasket, camshaft cover	52 041 11	Gasket, breaker cover
235048	Gasket, valve cover	231032	Seal, breather
235070	Gasket, bearing plate	235025	Gasket, camshaft cover
235757	Gasket, bearing plate	235048	Gasket, valve cover
271030	Gasket, carburetor (2)	235057	Gasket, oil pan
275144	Gasket, valve cover	235070	Gasket, bearing plate (3)
275341	Gasket, air horn	47 041 07	Gasket, oil pan
45 041 01	Gasket, cover	235757	Gasket, bearing plate
45 041 02	Gasket, oil pan	237064	Gasket, oil fill
45 049 01	Gasket, air cleaner	271030	Gasket, carburetor
45 052 01	Gasket, cylinder head	275144	Gasket, valve cover
47 041 04	Gasket, pump pad	275341	Gasket, air horn
		45 052 01	Gasket, cylinder head
		47 041 04	Gasket, pump pad
		47 041 02	Gasket, air cleaner

K341L

GASKET SET - 45 004 04 (WITHOUT SEALS)	
Part No.	Description
52 041 11	Gasket, breaker cover
231032	Seal, breather
235025	Gasket, camshaft cover
235048	Gasket, valve cover
235057	Gasket, oil pan
235070	Gasket, bearing plate (3)
47 041 07	Gasket, oil pan
235757	Gasket, bearing plate
237064	Gasket, oil fill
271030	Gasket, carburetor
275144	Gasket, valve cover
275341	Gasket, air horn
45 052 01	Gasket, cylinder head
47 041 04	Gasket, pump pad
47 041 02	Gasket, air cleaner

KOHLER engines

ENGINE DIVISION, KOHLER CO., KOHLER, WISCONSIN 53044



PARTS MANUAL SUPPLEMENT

MODEL K341 — 16 hp

Specs 71329* — 71341

***Previous specs are covered in Parts Manual TP-983-A.
Also, refer to TP-983-A for parts illustrations.**

Contact your Kohler Distributor for Preliminary Parts Lists on specs not found in this manual or the K341 Parts Manual, TP-983-A. Information from the Preliminary Parts Lists will be added to the manual at the next revision date.

ENGINE DIVISION, KOHLER CO., KOHLER, WISCONSIN 53044

DESCRIPTION	PART NO.
AIR INTAKE — Group 1	
Washer, I.T. 1/8 (2)	X-22-9
Washer, plain 3/16	X-25-79
Screw, R.H.M. 10-32x3/8	X-50-37
Screw, R.H.M. 10-32x3/8 (2)	X-50-57
Gasket	275341
Elbow	48 054 08
BAFFLES & SHROUD — Group 2	
Washer, plain 1/4	X-25-53
Screw, H.C. 1/4-20x3/4 (4)	X-132-2
Screw, H.C. 1/4-20x1/2 (2)	X-132-6
Baffle, side air	235652
Housing, blower	235693
Baffle, cylinder	45 063 01
Baffle, head	45 124 01
BREATHER & VENT — Group 3	
Pal nut 1/4-20	X-799-1
Seal, breather	231032
Reed, breather	235047
Gasket, breather plate	235048
Baffle, breather	235117
Filter, breather	235118
Plate, breather	235631
Cover, valve	275143
Gasket, valve cover	275144
Stud, valve cover	275220
CAMSHAFT & VALVES — Group 4	
Rotator (2)	230020
Retainer, spring upper (2)	235011
Spring, valve (2)	235168
Pin, camshaft	235193
Tappet (2)	D-235327
Valve, intake	235582
Valve, exhaust	237672
Kit, retainer (2)	41 755 10
Spacer .005	275066
Spacer .010	275067
Camshaft assembly	47 010 06
Spring, actuating	47 089 01
CARBURETOR — Group 5	
Connector, 90° hose	X-391-1
Screw, sltd.*hd. 5/16-18x1 (2)	X-770-1
Gasket, carburetor	271030
Carburetor assembly	45 053 20
Spring, idle speed	232555
Screw, idle speed adj.	232556
Spring, idle fuel	200380
Screw idle fuel adj.	275231
Spring, main fuel	200383
Needle, main fuel adj.	45 103 01
Kit, float	25 757 03
Gasket, bowl baffle	25 041 02
Pin, float hinge	200376
Gasket, bowl	200375
Bowl, fuel	235448
Screw, bowl retainer	47 100 06
Gasket, bowl ret. screw	200372
Kit, carburetor repair	25 757 02
CRANKCASE — Group 7	
Washer, plain 1/4	X-25-72
Plug, pipe	X-75-31
Screw, H.C. 1/4-20x5/8	X-132-5
Screw, H.C. 1/4-20x1/2 (3)	X-132-6
Screw, H.C. 3/8-16x1 (4)	X-159-2
Plug, expansion	X-230-11
Seal, front oil	X-271-30
Seal, rear oil	X-379-9
Gasket, camshaft cover	235025
Cover, camshaft	235026
Gasket, brg. pl. .010 (A.R.)	235070
Shaft, governor	235125-S
Bearing, ball (2)	235376
Gasket, bearing plate	235757
Shaft (2)	236559
Plate, bearing	45 156 03

DESCRIPTION	PART NO.
Block, cylinder assembly (USE: Miniblock)	
Insert, intake (2)	45 782 06
Bearing	230265
Guide, valve (2)	234866
	235007-S
CRANKSHAFT — Group 8	
Retainer (2)	X-269-34
Crankshaft	45 014 01
Gear assembly (2)	47 042 01
Bearing, needle (2)	47 030 01
Kit, spacer	47 755 01
CYLINDER HEAD — Group 9	
Washer, lock 3/8 (2)	X-22-1
Nut, hex 3/8-16 (4)	X-83-2
Spacers (2)	X-400-71
Stud (2)	237522
Screw, H.C. 3/8-16x1-1/2 (7)	270158
Screw, H.C. 3/8-16x1-3/4	270721
Washer 3/8 (11)	270889
Gasket, head	45 052 01
Head, cylinder	45 015 09
Strap, lifting	47 445 01
DIPSTICK — Group 10	
Dipstick	A-235092
Tube, oil fill	271829
Dipstick	277357
FLYWHEEL — Group 13	
Washer, plain 5/8	X-25-88
Nut, lock 5/8-18	X-119-14
Screw, truss hd. 1/4-20x5/8 (4)	X-166-2
Key	X-286-17
Flywheel	A-235908
Screen, grass	47 162 02
FUEL PUMP — Group 14	
Washer, plain 1/4 (2)	X-25-63
Screw, F.H.M. 1/4-20x3/4 (2)	47 086 08
Clamp, hose	X-426-9
Line, fuel	X-807-3
Gasket, fuel pump	47 041 04
Pump, fuel	47 559 04
Connector, 90° hose	X-391-1
Connector, 90° hose	X-391-11
FUEL TANK — Group 15	
Washer, plain 1/4 (2)	X-25-68
Screw, H.C. 3/8-16x1-1/4 (2)	X-159-3
Spacer (2)	X-400-89
Bracket, upper tank assy.	47 217 10
Webbing (2)	X-295-35
Bracket, upper tank	45 068 03
Bracket, lower tank assy.	47 217 11
Webbing (2)	X-295-25
Bracket, lower tank	47 068 02
GOVERNOR — Group 17	
Washer, plain 1/4	X-25-55
Spacer	X-400-80
Pin, governor stop	231355
Retainer, rod	235278
Bushing	235476
Spring, governor	235496
Washer, thrust	237022
Kit, governor gear	A-235743-S
Shaft, governor	237455
Lever, governor assembly	A-237653
Washer, plain 1/4	X-25-72
Nut, hex. 1/4-20	X-81-1
Screw, sems 1/4-20x1-1/4	X-776-1
Bracket, control assembly	A-236895
Washer, plain 1/4	X-25-63
Washer, plain 1/4	X-25-102
Screw, R.H.M. 8-32x5/16	X-51-8
Kit, clamp	48 755 10
Spacer	235085

DESCRIPTION	PART NO.
Bracket	235086
Washer, wave	275690
Screw, H.C. 1/4-20x1-1/4	X-132-9
IGNITION — Group 18	
Screw, self tapping 8-32x3/8	X-67-59
Screw, F.H.M. 10-24x3/8 (4)	X-131-1
Screw, H.C. 1/4-20x7/8 (2)	X-132-7
Screw, condenser 6-32x1/4	X-144-2
Rod, breaker	41 411 01
Clip	X-728-1
Cover, breaker	A-220136
Gasket, cover	52 041 11
Grommet	220297
Boot, spark plug	220791
Plug, spark	235041-S
Clip	275303
Clip, cable	275183
Condenser	47 147 01
Breaker	47 150 03
Stator assembly	A-235741
Coil	47 145 02
Screw	234423
Cable, hi-tension	234424
Core & plate	235759
Clip	237919
OIL PAN — Group 21	
Screw, H.C. 3/8-16x1-1/4 (4)	X-159-3
Gasket, pan	235057
Base, oil pan	235115
Plug, pipe 3/4	X-75-6
PISTON & ROD — Group 22	
Rod, conn. assy. (Std.)	45 067 01
Rod, conn. assy. (.010)	45 067 02
Piston assembly (Std.)	45 074 31
Piston assembly (.003)	45 074 32
Piston assembly (.010)	45 074 33
Piston assembly (.020)	45 074 34
Piston assembly (.030)	45 074 35
Ring set (Std. & .003)	45 108 01
Ring set (.010)	45 108 02
Ring set (.020)	45 108 03
Ring set (.030)	45 108 04
Retainer (2)	47 018 01
RETRACTABLE STARTER — Group 23	
Screw, H.C. 10-24x5/8	X-156-2
Cup	235685
Starter, recoil assembly	47 165 01
Spring	231705
Screw 10x1/2	231683
Sheave	231685
Cord #6, nylon 66"	231686
Brake	231689
Washer	231690
Screw, hex. hd. 10-32x5/8	231691
Dog	231695
Washer, thrust	231692
Washer, spacer	231693
Pulley	231697
Retainer	231699
Retainer, spring	232525
Spacer, nylon	47 112 04
Housing	235696
Handle	234452
Miniblock	45 782 06
Gasket Set w/o seals	45 004 03
Gasket Set w/seals	45 755 04

DESCRIPTION	PART NO.
AIR INTAKE — Group 1	
Screw, H.C. 10-32x3/8 (3)	X-167-2
Nut, wing	X-276-7
Gasket, air horn	275341
Base, air cleaner	45 094 01
Cover, air cleaner	45 082 01
Element	45 083 02
Element, pre-cleaner	52 083 02
BAFFLES & SHROUD — Group 2	
Washer, plain 1/4	X-25-53
Screw, H.C. 1/4-20x3/4 (4)	X-132-2
Screw, H.C. 1/4-20x1/2 (2)	X-132-6
Baffle, side air	235652
Housing, blower	235693
Baffle, cylinder	45 063 01
Baffle, head	45 124 01
BREATHER & VENT — Group 3	
Pal nut 1/4-20	X-799-1
Seal, breather	231032
Reed, breather	235047
Gasket, breather plate	235048
Baffle, breather	235117
Filter, breather	235118
Plate, breather	235631
Cover, valve	275143
Gasket, valve cover	275144
Stud, valve cover	275220
CAMSHAFT & VALVES — Group 4	
Rotator (2)	230020
Retainer, spring upper (2)	235011
Spring, valve (2)	235188
Pin, camshaft	235193
Tappet (2)	D-235327
Valve, intake	235582
Valve, exhaust	237672
Kit, retainer (2)	41 755 10
Spacer .005 (A.R.)	275066
Spacer .010 (A.R.)	275067
Camshaft assembly	47 010 06
Spring, actuating	47 089 01
CARBURETOR — Group 5	
Connector, 90° hose	X-391-1
Screw, sltd. hd. 5/16-18x1 (2)	X-770-1
Gasket, carburetor	271030
Carburetor assembly	45 053 20
Spring, idle speed	232555
Screw, idle speed adj.	232556
Spring, idle fuel	200380
Needle, idle fuel adj.	275231
Spring, main fuel	200383
Needle, main fuel adj.	47 103 01
Kit, float	25 757 03
Gasket, bowl baffle	25 041 02
Pin, float hinge	200376
Gasket, bowl	200375
Bowl, fuel	235448
Screw, bowl retainer	47 100 06
Gasket, bowl retainer screw	200372
Kit, carburetor repair	25 757 01
CRANKCASE — Group 7	
Plug, pipe 3/4	47 139 01
Screw, H.C. 1/4-20x5/8	X-132-5
Screw, H.C. 1/4-20x1/2 (3)	X-132-6
Screw, H.C. 3/8-16x1 (4)	X-159-2
Plug, expansion	X-230-11
Seal, front oil	X-271-30
Seal, rear oil	X-379-9
Gasket, camshaft cover	235025
Cover, camshaft	235026
Gasket, brg. pl. .010 (A.R.)	235070
Shaft, governor	235125-S
Bearing, ball (2)	235376

DESCRIPTION	PART NO.
Gasket, bearing plate	235757
Shaft (2)	236559
Plate, bearing	45 156 03
Cup plug	X-702-14
Block, cylinder assembly (USE: Miniblock)	45 782 06
Insert, intake (2)	230265
Guide, valve (2)	235007-S
Bearing	234866
CRANKSHAFT — Group 8	
Retainer (2)	X-269-34
Crankshaft	45 014 01
Gear assembly (2)	47 042 01
Bearing, needle (2)	47 030 01
Kit, spacer	47 755 01
CYLINDER HEAD — Group 9	
Strap, lifting	47 445 01
Screw, H.C. 3/8-16x1-1/2 (9)	270158
Screw, H.C. 3/8-16x1-3/4	270721
Washer 3/8 (11)	270889
Head, cylinder	45 015 09
Gasket, head	45 052 01
DIPSTICK — Group 10	
Dipstick	A-235092
FLYWHEEL — Group 13	
Washer, plain 5/8	X-25-104
Nut, lock 5/8-1	X-119-14
Key	X-286-17
Flywheel	A-235908
FUEL PUMP — Group 14	
Screw, F.H.M. 1/4-20x3/4 (2)	47 086 08
Clamp, hose (2)	X-426-9
Line, fuel	X-810-1
Gasket, fuel pump	47 041 04
Pump, fuel	47 559 04
Washer, plain 1/4 (2)	X-25-63
Connector, 90° hose	X-391-1
Connector, 90° hose	X-391-11
GOVERNOR — Group 17	
Washer, plain 1/4	X-25-55
Spacer	X-400-80
Pin, governor stop	231355
Retainer, rod	235278
Bushing	235476
Screw, shoulder	235477
Spring, governor (industrial)	235495
Washer, thrust	237022
Kit, governor gear	A-235743-S
Shaft, governor cross	237455
Washer, plain 1/4	X-25-63
Nut, hex. 10-32 (2)	X-70-3
Screw, H.C. 1/4-20x1-1/4	X-132-9
Bracket, adjusting screw	235084
Bracket, speed control	235086
Rod, throttle	235277
Retainer, rod	235278
Washer, tension	275690
Spacer	45 112 01
Lever, governor assembly	A-237653
Washer 1/4	X-25-72
Nut, hex. 1/4-20	X-81-1
Screw, sems 1/4-20x1-1/4	X-776-1
IGNITION — Group 18	
Screw, self tapping 8-32x1/4	X-67-59
Screw, F.H.M. 10-24x3/8 (4)	X-131-1
Screw, H.C. 1/4-20x7/8 (2)	X-132-7
Screw, condenser 6-32x1/4	X-144-2
Rod, breaker	47 411 04
Clip	X-728-1
Cover, breaker	A-220136

DESCRIPTION	PART NO.
Gasket, cover	52 041 11
Grommet	220297
Boot, spark plug	220791
Plug, spark	235041-S
Clip	275303
Clip, cable	275183
Condenser	47 147 01
Breaker	47 150 03
Stator assembly	A-235741
Coil	47 145 02
Screw	234423
Cable, hi-tension	234424
Core & plate	235759
Kit, clip	237919
OIL PAN — Group 21	
Screw, H.C. 3/8-16x1-1/4 (4)	X-159-3
Gasket, pan	235057
Base, oil pan	235115
Plug, pipe 3/4	X-75-6
PISTON & ROD — Group 22	
Rod, conn. assy. (Std.)	45 067 01
Rod, conn. assy. (.010)	45 067 02
Piston assembly (Std.)	45 074 31
Piston assembly (.003)	45 074 32
Piston assembly (.010)	45 074 33
Piston assembly (.020)	45 074 34
Piston assembly (.030)	45 074 35
Ring set (Std. & .003)	45 108 01
Ring set (.010)	45 108 02
Ring set (.020)	45 108 03
Ring set (.030)	45 108 04
Retainer (2)	47 018 01
RETRACTABLE STARTER — Group 23	
Screw, H.C. 10-24x5/8 (5)	X-156-2
Cup	235685
Screen, grass (stationary)	237250
Kit, recoil starter	47 755 03
Screw, R.H.M. 10-24x5/8 (5)	X-50-8
Screen, grass (rotating)	47 162 02
Starter, recoil assembly	47 165 01
Spring	231705
Screw 10x1/2	231683
Sheave	231685
Cord #6 nylon 66"	231686
Brake	231689
Washer	231690
Screw, hex. hd. 10-32x5/8	231691
Dog	231695
Washer	231692
Washer	231693
Pulley	231697
Retainer	231699
Spring	232525
Spacer	47 112 04
Housing	235696
Handle	234452
Miniblock	45 782 06
Short Block	45 522 31
Gasket Set w/o seals	45 004 03
Gasket Set w/seals	45 755 04

MTD

DESCRIPTION	PART NO.	DESCRIPTION	PART NO.	DESCRIPTION	PART NO.
AIR INTAKE — Group 1		Cover, camshaft	235026	Linkage, choke	47 079 01
Screw, H.C. 10-32x11/16 (3)	X-87-93	Gasket, bearing plate (A.R.)	235070	Spring, governor	47 091 01
Nut, wing	X-276-7	Shaft, governor	235125-S	Screw, H.C. 1/4-20x1-1/2	X-5-26
Seal	47 032 03	Bearing, ball (2)	235376	Washer, lock 1/4	X-20-1
Gasket, air horn	47 041 02	Gasket, bearing plate	235757	Washer, plain 1/4	X-25-63
Cover, air cleaner	47 082 01	Plate, bearing	45 156 03	Nut, hex. 1/4-20	X-76-2
Element	47 083 01	Block, cylinder assembly (USE: Miniblock)	45 782 09.	Washer, wave	275690
Base, air cleaner	47 094 11	Insert, intake (2)	230265	Lever, choke control	47 090 07
Tube	47 134 02	Guide, valve (2)	235007-S	Lever, throttle control	47 090 08
BAFFLES & SHROUD — Group 2		Bearing	234866	Spacer, throttle	47 112 02
Washer, plain 3/16 (3)	X-25-7	CRANKSHAFT — Group 8		Retainer	235278
Washer, plain 1/4 (2)	X-25-52	Crankshaft	45 014 12	Lever, governor assembly	A-237653
Washer, plain 1/4 (2)	X-25-72	CYLINDER HEAD — Group 9		Washer, plain 1/4	X-25-72
Screw, H.C. 1/4-20x3/4 (6)	X-132-2	Nut hex. 3/8-16 (2)	X-83-2	Nut, hex. 1/4-20	X-81-1
Screw, H.C. 1/4-20x5/8 (2)	X-132-5	Spacers	X-400-71	Screw, sems 1/4-20x1-1/4	X-776-1
Screw, H.C. 1/4-20x1/2	X-132-6	Stud	237522	Nut, hex. 10-32	X-70-3
Screw, H.C. 5/16-18x1-1/4	X-154-4	Washer 3/8 (11)	270889	Rod, ball joint	235277
Screw 10-32x3/8 (3)	X-167-3	Head, cylinder	45 015 09	Joint, ball	45 208 03
Bracket, duct support	45 126 04	Gasket, head	45 052 01	Washer, lock 3/16	X-19-1
Housing, blower	47 027 05	Screw, H.C. 3/8-16x1-1/2 (9)	270158	Screw, R.H.M. 10-24x3/8	X-50-13
Baffle, side air	47 063 01	DIPSTICK — Group 10		Nut, hex. 8-32	X-72-4
Baffle, cylinder	47 063 05	Washer, lock 3/16	X-19-1	Spring, thr. lever adj. screw	232555
Baffle, head	47 124 03	Washer, plain 3/16	X-25-7	Screw, throttle lever adj.	232556
Duct, air	47 281 06	Washer, plain 1/4	X-25-60	Bracket	47 126 09
BREATHER & VENT — Group 3		Screw, fill. hd. 10-24x1/2 (3)	X-131-2	Clamp	47 237 02
Pal nut 1/4-20	X-799-1	Screw, self tap. 10-32x9/16	X-67-65	IGNITION — Group 18	
Seal, breather	231032	Screw, H.C. 1/4-20x1/2	X-132-6	Washer, plain 1/4 (2)	X-25-73
Reed, breather	235047	Clamp	X-785-1	Screw, self tapping 8-32x3/8	X-67-59
Gasket, breather plate	235048	Gasket	237064	Screw, F.H.M. 10-24x3/8 (4)	X-131-1
Plate, breather	235631	Dipstick	47 038 04	Screw, H.C. 1/4-20x5/8	X-132-5
Baffle, breather	270146	Bracket, tube	47 126 11	Rod, breaker	47 411 04
Gasket, valve cover	275144	Tube, oil-fill	47 180 03	Clip, cable	X-728-1
Stud, valve cover	275220	ELECTRIC START — Group 11		Screw, R.H. 10-24x3/4 (4)	X-778-1
Filter, breather	47 050 01	Washer, lock 3/8 (2)	X-22-1	Gasket, breaker	52 041 11
Cover, valve	47 096 01	Screw, H.C. 3/8-16x1-5/16 (2)	234948	Cover, breaker	232535
Hose, breather	47 326 01	Starter assembly	45 098 06	Plate, coil	234323
CAMSHAFT & VALVES — Group 4		Kit, drive	47 749 02	Connector	236602
Rotator (2)	230020	Kit, drive parts	47 755 13	Lead, high tension	238057
Retainer, spring upper (2)	235011	Cap, drive end	237650	Clip	275303
Spring, valve (2)	235168	Armature	45 170 02	Stator	237878
Pin, camshaft	235193	Cap commutator end	48 227 04	Plug, spark	235041-S
Tappet (2)	D-235327	Kit, brush	48 755 15	Breaker	47 150 03
Valve, intake	235582	Thru bolt w/washer (2)	237649	Clip	47 154 01
Valve, exhaust	237672	EXHAUST — Group 12		Grommet, spark plug	47 313 01
Kit, retainer (2)	41 755 10	Nut, lock	45 100 01	Screw, H.C. 1/4-20x1 (2)	X-132-4
Spacer .005 (A.R.)	275066	Elbow, exhaust	45 054 04	Regulator, rectifier	41 403 05
Spacer .010 (A.R.)	275067	FLYWHEEL — Group 13		Condenser	230722
Camshaft assembly (3)	47 010 09	Washer, plain 5/8	X-25-104	Coil ignition	231281
Spring, actuating	47 089 01	Nut, lock 5/8-18	X-119-14	Connector	237757
CARBURETOR — Group 5		Screw, trs. hd. 1/4-20x5/8 (4)	47 086 05	OIL PAN — Group 21	
Connector, 90° hose	X-391-1	Key	X-286-17	Plug, pipe 1/4	X-75-2
Screw, sld. hd. 5/16-18x1 (2)	X-770-1	Screen, grass	47 162 10	Screw, H.C. 3/8-16x1-1/2 (4)	X-159-4
Gasket, carburetor	47 049 01	Flywheel	47 025 44	Gasket, oil pan	235353
Carburetor assembly	45 053 09	Washer, plain 1/4 (4)	X-25-52	Pan, oil	47 199 01
Spring, idle speed	232555	FUEL PUMP — Group 14		PISTON & ROD — Group 22	
Screw, idle speed adj.	232556	Screw, F.H.M. 1/4-20x3/4 (2)	47 086 08	Rod, conn. assy. (Std.)	45 067 01
Spring idle fuel	200380	Clamp, hose (2)	X-426-9	Rod, conn. assy. (.010)	45 067 02
Needle, idle fuel adj.	275231	Line, fuel	X-810-1	Piston assembly (Std.)	45 074 31
Spring, main fuel	200383	Gasket, fuel pump	47 041 04	Piston assembly (.003)	45 074 32
Needle, main fuel adj.	45 103 01	Washer, plain 1/4 (2)	X-25-63	Piston assembly (.010)	45 074 33
Kit, float	25 757 03	Connector, 90° hose (2)	X-391-1	Piston assembly (.020)	45 074 34
Gasket, bowl baffle	25 041 02	Pump, fuel	47 559 04	Piston assembly (.030)	45 074 35
Pin, float hinge	200376	GOVERNOR — Group 17		Ring set (Std. & .003)	45 108 01
Gasket, bowl	200375	Washer, plain 1/4	X-25-55	Ring set (.010)	45 108 02
Bowl, fuel	235448	Washer, plain 1/4	X-25-72	Ring set (.020)	45 108 03
Screw, bowl retainer	47 100 06	Screw, H.C. 1/4-20x1/2	X-132-6	Ring set (.030)	45 108 04
Gasket, bowl retainer screw	200372	Spacer	X-400-80	Retainer (2)	235004
Kit, carburetor repair	25 757 02	Pin, governor stop	231355	MINIBLOCK	
CRANKCASE — Group 7		Bushing	235476	Miniblock	45 782 09
Screw, H.C. 1/4-20x5/8 (4)	X-132-5	Washer, thrust	237022	Short Block	45 522 20
Screw, H.C. 3/8-16x1 (4)	X-159-2	Kit, governor gear	A-235743-S	Gasket Set w/o seals	45 004 03
Plug	X-230-11	Shaft, governor cross	237455	Gasket Set w/seals	45 755 04
Seal, front oil	X-271-30				
Seal, rear oil	X-379-9				
Plug (2)	X-702-3				
Gasket, cover	235025				

DESCRIPTION	PART NO.	DESCRIPTION	PART NO.	DESCRIPTION	PART NO.
AIR INTAKE — Group 1		Seal, front oil	X-271-30	Nut, hex. 1/4-20	X-81-1
Screw, H.C. 10-32x3/8 (3)	X-167-2	Seal, rear oil (2)	47 032 05	Screw, sems. 1/4-20x1-1/4	X-776-1
Nut, wing	X-276-7	Gasket, camshaft cover	235025	IGNITION — Group 18	
Gasket, air horn	275341	Cover, camshaft	235026	Washer, I.T. 3/16	X-22-9
Base, air cleaner	45 094 01	Gasket .010 (A.R.)	235070	Washer, plain 1/4 (2)	X-25-52
Cover, air cleaner	45 082 01	Shaft, governor	235125-S	Screw, R.H. 10-24x5/16	X-50-12
Element	45 083 02	Bearing, ball (2)	235376	Screw, self tapping 8-32x3/8	X-67-59
Element, pre-cleaner	52 083 02	Gasket, bearing plate	235757	Screw, F.H.M. 10-24x3/8 (7)	X-131-1
BAFFLES & SHROUD — Group 2		Shaft (2)	236559	Screw, H.C. 1/4-20x3/4	X-132-2
Washer, lock 3/16	X-22-22	Plate, bearing	45 156 02	Rod, breaker	47 411 04
Washer, plain 1/4 (3)	X-25-53	Block, cylinder assembly		Clip	X-728-1
Screw, H.C. 10-24x3/8	X-97-3	(USE: Miniblock)	45 782 11	Gasket, breaker	52 041 11
Screw, H.C. 1/4-20x3/4 (4)	X-132-2	Insert (2)	230265	Lead, high tension	41 348 06
Screw, H.C. 1/4-20x1/2 (4)	X-132-6	Guide, valve (2)	235007-S	Cover, breaker	232535
Baffle, side air	235652	Bearing	234866	Connector	237757
Baffle, cylinder	45 063 01	CRANKSHAFT — Group 8		Clip	275303
Deflector	236847	Crankshaft	45 014 29	Stator	237878
Housing, blower	236985	Retainer (2)	X-269-34	Plug, spark	47 132 05
Baffle, head	45 124 01	Gear assembly (2)	47 042 01	Breaker	47 150 03
BREATHER & VENT — Group 3		Bearing, needle (2)	47 030 01	Condenser	230722
Clamp, hose	X-426-3	Kit, spacer	47 755 01	Coil	231281
Pal nut 1/4-20	X-799-1	CYLINDER HEAD — Group 9		OIL PAN — Group 21	
Seal, breather	231032	Strap, lifting	47 445 01	Screw, H.C. 3/8-16x1-1/4 (4)	X-159-3
Reed, breather	235047	Screw, H.C. 3/8-16x1-1/2 (9)	270158	Gasket, pan	235057
Gasket, breather plate	235048	Screw, H.C. 3/8-16x1-3/4	270721	Base, oil pan	235115
Baffle, breather	235117	Washer 3/8 (11)	270889	Plug, pipe 3/4	X-75-6
Filter, breather	235118	Head, cylinder	45 015 09	PISTON & ROD — Group 22	
Plate, breather	235631	Gasket, head	45 052 01	Rod, conn. aasy. (Std.)	45 067 16
Gasket, valve cover	275144	DIPSTICK — Group 10		Rod, conn. assy. (.010)	45 067 18
Cover, valve	275839	Tube, oil fill	237012	Piston assembly (Std.)	45 074 41
Stud, valve cover	275220	Dipstick	237013	Piston assembly (.003)	45 074 42
Hose	47 326 02	ELECTRIC START — Group 11		Piston assembly (.010)	45 074 43
CAMSHAFT & VALVES — Group 4		Washer, lock 3/8 (2)	X-22-1	Piston assembly (.020)	45 074 44
Rotator (2)	230020	Screw, H.C. 3/8-16x1-5/16 (2)	234948	Piston assembly (.030)	45 074 45
Retainer, spring upper (2)	235011	Starter assembly	45 098 07	Ring set (Std. & .003)	45 108 06
Spring, valve (2)	235168	Kit, drive	47 755 07	Ring set (.010)	45 108 07
Pin, camshaft	235193	Kit, drive parts	47 755 13	Ring set (.020)	45 108 08
Tappet (2)	D-235327	Cap, drive end	237650	Ring set (.030)	48 108 09
Valve, intake	235582	Armature	45 170 02	Retainer (2)	47 018 01
Valve, exhaust	237672	Cap, commutator end	48 227 04	THROTTLE CABLE — Group 24	
Kit, retainers (2)	41 755 10	Kit, brush	48 755 15	Washer, plain 1/4	X-25-63
Spacer .005 (A.R.)	275066	Thru bolt w/washer (2)	237649	Washer, plain 1/4	X-25-102
Spacer .010 (A.R.)	275067	FLYWHEEL — Group 13		Screw, R.H.M. 8-32x5/16	X-51-8
Camshaft assembly (3)	47 010 09	Washer, plain 5/8	X-25-104	Screw, H.C. 1/4-20x1	X-132-4
Spring, actuating	47 089 01	Nut, lock 5/8-18	X-119-14	Clamp, swivel wire	48 237 02
CARBURETOR — Group 5		Screw, trs. hd. 1/4-20x5/8 (4)	47 086 05	Spacer	235085
Connector, 90° hose	X-391-1	Key	X-286-17	Retainer, ring (2)	235278
Screw, sstd. hd. 5/16-18x1 (2)	X-770-1	Screen, grass	236688	Rod, throttle	235756
Gasket, carburetor	271030	Flywheel	47 025 28	Bell crank	236752
Carburetor assembly	45 053 26	Washer, plain 1/4 (4)	X-25-52	Washer, tension	275690
Spring, idle speed	232555	FUEL PUMP — Group 14		Bracket, control assembly	A-236896
Screw, idle speed adj.	232556	Screw, F.H.M. 1/4-20x3/4 (2)	47 086 08	Washer, plain 1/4	X-25-63
Spring, idle fuel	200380	Clamp, hose (2)	X-426-9	Screw, H.C. 1/4-20x1-1/4	X-132-9
Screw, idle fuel adj.	275231	Line, fuel	X-810-1	Bracket, adj. screw	235084
Spring, main fuel	200383	Gasket, fuel pump	47 041 04	Spacer	235085
Needle, main fuel adj.	45 103 01	Pump, fuel	47 559 04	Bracket, speed control	235086
Kit, float	25 757 03	Washer, plain 1/4 (2)	X-25-63	Washer, tension	275690
Gasket, bowl baffle	25 041 02	Connector, 90° hose (2)	X-391-1	MINIBLOCK	
Pin, float hinge	200376	GOVERNOR — Group 17		Miniblock	45 782 11
Gasket, bowl	200375	Washer, plain 1/4	X-25-55	Gasket Set w/o seals	45 004 03
Bowl, fuel	235448	Spacer	X-400-80	Gasket Set w/seals	45 755 04
Screw, bowl retainer	47 100 06	Pin, governor stop	231355		
Gasket, bowl retainer screw	200372	Retainer, rod	235278		
Kit, carburetor repair	25 757 02	Bushing	235476		
Bracket, choke assembly	A-236919	Spring, governor	235496		
Clip, choke cable	235603	Washer, thrust	237022		
Bracket, choke	235680	Kit, governor gear	A-235743-S		
CRANKCASE — Group 7		Shaft, governor cross	237455		
Plug, pipe 3/4	47 139 01	Lever, governor assembly	A-237653		
Screw, H.C. 1/4-20x1/2 (4)	X-132-6	Washer, plain 1/4	X-25-72		
Screw, H.C. 3/8-16x1 (4)	X-159-2				
Plug, expansion	X-230-11				

DESCRIPTION	PART NO.
AIR INTAKE — Group 1	
Screw, H.C. 10-32x5/16 (3)	X-167-2
Nut, wing	X-276-7
Gasket, air horn	275341
Cover, air cleaner	45 082 01
Element	45 083 02
Base, air cleaner	45 094 01
BAFFLES & SHROUD — Group 2	
Washer plain 1/4	X-25-53
Screw, H.C. 1/4-20x3/4 (4)	X-132-2
Screw, H.C. 1/4-20x1/2 (2)	X-132-6
Baffle, side air	235652
Housing, blower	236541
Baffle, cylinder	45 063 01
Baffle, head	45 124 01
BREATHER & VENT — Group 3	
Pal nut 1/4-20	X-799-1
Seal, breather	231032
Reed, breather	235047
Gasket, breather plate	235048
Baffle, breather	235117
Filter, breather	235118
Plate, breather	235631
Cover, valve	275143
Gasket, valve cover	275144
Stud, valve cover	275220
CAMSHAFT & VALVES — Group 4	
Rotator (2)	230020
Retainer, spring upper (2)	235011
Spring, valve (2)	235168
Pin, camshaft	235193
Tappet (2)	D-235327
Valve, intake	235582
Valve, exhaust	237672
Kit, retainer (2)	41 755 10
Spacer .005 (A.R.)	275066
Spacer .010 (A.R.)	275067
Camshaft assembly	47 010 06
Spring, actuating	47 089 01
CARBURETOR — Group 5	
Connector, 90° hose	X-391-1
Screw, sltd. hd. 5/16-18x1 (2)	X-770-1
Gasket, carburetor	271030
Carburetor assembly	45 053 02
Spring, idle speed	232555
Screw, idle speed adj.	232556
Spring, idle fuel	200380
Screw, idle fuel adj.	275231
Spring, main fuel	200383
Needle, main fuel adj.	45 103 01
Kit, float	25 757 03
Gasket, bowl baffle	25 041 02
Pin, float hinge	200376
Gasket, bowl	200375
Bowl, fuel	235448
Screw, bowl retainer	47 100 06
Gasket, bowl retainer screw	200372
Kit, carburetor repair	25 757 01
CRANKCASE — Group 7	
Plug, pipe 3/4	47 139 01
Screw, H.C. 1/4-20x5/8	X-132-5
Screw, H.C. 1/4-20x1/2 (3)	X-132-6
Screw, H.C. 3/8-16x1 (4)	X-159-2
Plug, expansion	X-230-11
Seal, oil	X-271-30
Seal, rear oil	X-379-9
Gasket, camshaft cover	235025
Cover, camshaft	235028
Gasket, brg. pl. .010 (A.R.)	235070
Shaft, governor	235125-S
Bearing, ball (2)	235376
Gasket, bearing plate	235757
Shaft (2)	236559
Plate, bearing	45 156 03
Block, cylinder assembly (USE: Miniblock)	45 782 06

DESCRIPTION	PART NO.
Insert, intake (2)	230265
Guide, valve (2)	235007-S
Bearing	234866
CRANKSHAFT — Group 8	
Retainer (2)	X-269-34
Crankshaft	45 014 01
Gear assembly (2)	47 042 01
Bearing, needle (2)	47 030 01
Kit, spacer	47 755 01
CYLINDER HEAD — Group 9	
Washer, lock 3/8 (2)	X-22-1
Nut, hex. 3/8-16 (4)	X-80-2
Spacers (2)	X-400-71
Stud (2)	237522
Screw, H.C. 3/8-16x1-1/2 (7)	270158
Screw, H.C. 3/8-16x1-3/4	270721
Washer 3/8 (11)	270889
Gasket, head	45 052 01
Head, cylinder	45 015 09
Strap, lifting	47 445 01
DIPSTICK — Group 10	
Tube, oil fill	237012
Dipstick	237013
ELECTRIC START — Group 11	
Washer, lock 3/8 (2)	X-22-1
Washer, plain 3/8	X-25-41
Screw, self tap. 1/4-20x3/8	X-67-62
Screw, H.C. 3/8-16x1-3/8 (2)	234380
Bracket, support	237239
Starter assembly	A-237511
Kit, drive	47 755 07
Kit, drive parts	47 755 13
Cap, drive end	237361
Armature	47 170 01
Cap, commutator end	48 227 04
Kit, brush	48 755 15
Thru bolt w/washer (2)	237656
EXHAUST — Group 12	
Muffler	45 068 01
FLYWHEEL — Group 13	
Washer, plain 5/8	X-25-104
Nut, lock 5/8-18	X-119-14
Screw, trs. hd. 1/4-20x5/8 (4)	47 086 05
Key	X-286-17
Screen, grass	236688
Flywheel	A-236707
Washer, plain 1/4 (4)	X-25-52
FUEL PUMP — Group 14	
Screw, F.H.M. 1/4-20x3/4 (2)	47 086 08
Clamp, hose (2)	X-426-9
Line, fuel	X-810-1
Gasket, fuel pump	47 041 04
Pump, fuel	47 559 04
Washer, plain 1/4 (2)	X-25-63
Connector, 90° hose	X-391-1
Connector, 90° hose	X-391-11
FUEL TANK — Group 15	
Screw, H.C. 3/8-16x1-1/2 (2)	X-159-4
Strap, tank 24-13/16 (2)	237639
Spacer (2)	X-400-89
Line, fuel	X-811-1
Bracket, upper tank assy.	47 217 10
Webbing (2)	X-295-35
Bracket, upper tank	45 066 03
Bracket, lower tank assy.	47 217 11
Webbing (2)	X-295-25
Bracket, lower tank	47 066 02
Tank, fuel	47 065 02
Valve, shut-off	47 462 01
GOVERNOR — Group 17	
Washer, plain 1/4	X-25-55
Washer, plain 1/4	X-25-72
Screw, H.C. 1/4-20x1/2	X-132-6
Spacer	X-400-80
Pin, governor stop	231355

DESCRIPTION	PART NO.
Bushing	235476
Washer, thrust	237022
Kit, governor gear	A-235743-S
Shaft, governor cross	237455
Linkage, choke	47 079 01
Spring, governor	47 091 01
Retainer, throttle rod	235278
Lever, governor assembly	45 087 03
Screw, sems. 1/4-20x1-1/4	X-776-1
Pal nut 1/4-20	X-799-1
Lever, governor	47 077 01
Nut, hex. 10-32	X-70-3
Rod, ball joint	235277
Joint, ball	45 208 03
Washer, lock 3/16	X-19-1
Screw, R.H.M. 10-24x3/8	X-50-13
Nut, hex. 8-32	X-72-4
Screw, adjusting	232555
Spring	232556
Bracket	47 126 09
Clamp	47 237 02
Swivel	48 237 02
Washer, plain 1/4	X-25-102
Screw, R.H.M. 8-32x1/4	X-51-8
Screw, H.C. 1/4-20x1-1/2	X-5-26
Washer, lock 1/4	X-20-1
Washer, plain 1/4	X-25-63
Washer, plain 3/8	X-25-82
Nut, hex. 1/4-20	X-76-2
Washer, wave (2)	275690
Lever	47 090 06
Lever	47 090 10
Spacer	47 112 02
IGNITION — Group 18	
Washer, plain 1/4	X-25-63
Screw, self-tapping 8-32x3/8	X-67-59
Screw, F.H.M. 10-24x3/8 (4)	X-131-1
Screw, H.C. 1/4-20x7/8 (2)	X-132-7
Screw, condenser 6-32x1/4	X-144-2
Rod, breaker	47 411 04
Clip	234531
Cover, breaker	A-220136
Gasket, cover	52 041 11
Grommet	220297
Boot, spark plug	220791
Plug, spark	235041-S
Clip, cable	275303
Clip	275183
Condenser	47 147 01
Breaker	47 150 03
Stator assembly	47 085 05
Coil, stator	47 145 02
Lead	234424
Clip, coil	237518
OIL PAN — Group 21	
Screw, H.C. 3/8-16x1-1/4 (4)	X-159-3
Gasket, pan	235057
Base, oil pan	235115
Plug, pipe 3/4	X-75-6
PISTON & ROD — Group 22	
Rod, conn. assy. (Std.)	45 067 16
Rod, conn. assy. (.010)	45 067 18
Piston assembly (Std.)	45 074 41
Piston assembly (.003)	45 074 42
Piston assembly (.010)	45 074 43
Piston assembly (.020)	45 074 44
Piston assembly (.030)	45 074 45
Ring set (Std. & .003)	45 108 06
Ring set (.010)	45 108 07
Ring set (.020)	45 108 08
Ring set (.030)	48 108 09
Retainer (2)	47 018 01
THROTTLE CONTROL — Group 24	
Screw, H.C. 1/4-20x7/8	X-132-7
Spacer	265861
Miniblock	45 782 06
Short Block	45 522 31
Gasket Set w/o seals	45 004 03
Gasket Set w/seals	45 755 04

DESCRIPTION	PART NO.	DESCRIPTION	PART NO.	DESCRIPTION	PART NO.
AIR INTAKE — Group 1		Shaft, governor	235125-S	Screw, R.H. 8-32x5/16	X-51-8
Screw, H.C. 10-32x3/8 (3)	X-167-2	Bearing, ball (2)	235376	Kit, clamp	48 755 10
Nut, wing	X-276-7	Gasket, bearing plate	235757	Spacer	235085
Gasket, air horn	275341	Shaft (2)	236559	Bracket	235086
Base, air cleaner	45 094 01	Plate, bearing	45 156 03	Washer, wave	275690
Cover, air cleaner	45 082 01	Block, cylinder assembly (USE: Miniblock)	45 782 06	Screw, H.C. 1/4-20x1-1/4	X-132-9
Element	45 083 02	Insert, intake (2)	230265	IGNITION — Group 18	
Element, pre-cleaner	52 083 02	Guide, valve (2)	235007-S	Washer, plain 1/4 (2)	X-25-52
BAFFLES & SHROUD — Group 2		Bearing	234866	Screw, self tapping 8-32x1/4	X-67-59
Washer, plain 1/4	X-25-53	CRANKSHAFT — Group 8		Screw, F.H.M. 10-24x3/8 (4)	X-131-1
Screw, H.C. 1/4-20x3/4 (4)	X-132-2	Retainer (2)	X-269-34	Screw, H.C. 1/4-20x3/4	X-132-2
Screw, H.C. 1/4-20x1/2 (2)	X-132-6	Crankshaft	45 014 01	Rod, breaker	47 411 04
Baffle, side air	235652	Gear assembly (2)	47 042 01	Clip	X-728-1
Baffle, cylinder	45 063 01	Bearing, needle (2)	47 030 01	Screw, R.H. 10-24x3/4 (4)	X-778-1
Baffle, head	45 124 01	Kit, spacer	47 755 01	Gasket, breaker	52 041 11
Housing, blower	47 027 18	CYLINDER HEAD — Group 9		Cover, breaker	232535
BREATHER & VENT — Group 3		Strap, lifting	47 445 01	Lead, high tension	A-235095
Clamp, hose	X-426-3	Screw, H.C. 3/8-16x1-1/2 (9)	270158	Clip	275303
Pal nut 1/4-20	X-799-1	Screw, H.C. 3/8-16x1-3/4	270721	Stator	237678
Seal, breather	231032	Washer 3/8 (11)	270889	Plug, spark	47 132 05
Reed, breather	235047	Head, cylinder	45 015 09	Breaker	47 150 03
Gasket, breather plate	235048	Gasket, head	45 052 01	Screw, H.C. 1/4-20x1 (2)	X-132-4
Baffle, breather	235117	DIPSTICK — Group 10		Connector	236602
Filter, breather	235118	Screw, F.H.M. 10-24x1/2 (3)	X-131-2	Regulator, rectifier	41 403 05
Plate, breather	235631	Gasket	237064	Condenser	230722
Gasket, valve cover	275144	Dipstick	47 038 03	Coil	231281
Cover, valve	275839	Tube, oil fill	47 180 03	OIL PAN — Group 21	
Stud, valve cover	275220	ELECTRIC START — Group 11		Screw, H.C. 3/8-16x1-1/4 (4)	X-159-3
Hose	47 326 02	Washer, lock 3/8 (2)	X-22-1	Gasket, pan	235057
CAMSHAFT & VALVES — Group 4		Screw, H.C. 3/8-16x1-11/32 (2)	234948	Base, oil pan	235115
Rotator (2)	230020	Starter assembly	45 098 07	Plug, pipe 3/4	X-75-6
Retainer, spring upper (2)	235011	Kit, drive	47 755 07	PISTON & ROD — Group 22	
Spring, valve (2)	235168	Kit, drive parts	47 755 13	Rod, conn. assy. (Std.)	45 067 16
Pin, camshaft	235193	Cap, drive end	237650	Rod, conn. assy. (.010)	45 067 18
Tappet (2)	D-235327	Armature	45 170 02	Piston assembly (Std.)	45 074 41
Valve, intake	235582	Cap, commutator end	48 227 04	Piston assembly (.003)	45 074 42
Valve, exhaust	237672	Kit, brush	48 755 15	Piston assembly (.010)	45 074 43
Kit, retainer (2)	41 755 10	Thru bolt w/washer (2)	237649	Piston assembly (.020)	45 074 44
Spacer .005 (A.R.)	275066	FLYWHEEL — Group 13		Piston assembly (.030)	45 074 45
Spacer .010 (A.R.)	275067	Washer, plain 5/8	X-25-104	Ring set (Std. & .003)	45 108 06
Camshaft assembly (3)	47 010 09	Nut, lock 5/8-18	X-119-14	Ring set (.010)	45 108 07
Spring, actuating	47 089 01	Key	X-286-17	Ring set (.020)	45 108 08
CARBURETOR — Group 5		Flywheel	47 025 28	Ring set (.030)	48 108 09
Connector, 90° hose	X-391-1	FUEL PUMP — Group 14		Retainer (2)	47 018 01
Screw, sltd. hd. 5/16-18x1 (2)	X-770-1	Screw, F.H.M. 1/4-20x3/4 (2)	47 086 08	Miniblock	45 782 06
Gasket, carburetor	271030	Clamp, hose (2)	X-426-9	Short Block	45 522 18
Carburetor assembly	45 053 26	Line, fuel	X-810-1	Gasket Set w/o seals	45 004 03
Spring, idle speed	232555	Gasket, fuel pump	47 041 04	Gasket Set w/seals	45 755 04
Screw, idle speed adj.	232556	Pump, fuel	47 559 04		
Spring, idle fuel	200380	Washer, plain 1/4 (2)	X-25-63		
Needle, idle fuel adj.	275231	Connector, 90° hose	X-391-1		
Spring, main fuel	200383	Connector, 90° hose	X-391-11		
Needle, main fuel adj.	45 103 01	GOVERNOR — Group 17			
Kit, float	25 757 03	Washer, plain 1/4	X-25-55		
Gasket, bowl baffle	25 041 02	Spacer	X-400-80		
Pin, float hinge	200376	Pin, governor stop	231355		
Gasket, bowl	200375	Retainer, rod	235278		
Bowl, fuel	235448	Bushing	235476		
Screw, bowl retainer	47 100 06	Spring, governor	235496		
Gasket, bowl retainer screw	200372	Washer, thrust	237022		
Kit, carburetor repair	25 757 01	Kit, governor gear	A-235743-S		
Bracket, choke assembly	A-236919	Shaft, governor	237455		
Clip, choke cable	235603	Lever, governor assembly	A-237653		
CRANKCASE — Group 7		Washer, plain 1/4	X-25-72		
Screw, H.C. 1/4-20x1/2 (4)	X-132-6	Nut, hex. 1/4-20	X-81-1		
Screw, H.C. 3/8-16x1 (4)	X-159-2	Screw, sems. 1/4-20x1-1/4	X-776-1		
Plug, expansion	X-230-11	Bracket, control assembly	A-236895		
Seal, front oil	X-271-30	Washer, plain 1/4	X-25-63		
Seal, rear oil	X-379-9	Washer, plain 1/4	X-25-102		
Gasket, camshaft cover	235025				
Cover, camshaft	235026				
Gasket, brg. pl. .010 (A.R.)	235070				

AMERICAN-LINCOLN CORPORATION

DESCRIPTION	PART NO.	DESCRIPTION	PART NO.	DESCRIPTION	PART NO.
AIR INTAKE — Group 1		Shaft (2)	236559	Screw, R.H. 8-32x1/4	X-51-8
Screw, H.C. 10-32x5/16 (3)	X-167-2	Plate, bearing	45 156 03	Clamp, swivel wire	48 755 10
Nut, wing	X-276-7	Cup, plug	X-702-14	Spacer	235085
Gasket, air horn	275341	Block, cylinder assembly (USE: Miniblock)	45 782 06	Bracket	235084
Cover, air cleaner	45 082 01	Insert, intake (2)	230265	Bracket	235086
Element	45 083 02	Guide, valve (2)	235007-S	Washer, wave	275690
Base, air cleaner	45 094 01	Bearing	234866	Screw, H.C. 1/4-20x1-1/4	X-132-9
BAFFLES & SHROUD — Group 2		CRANKSHAFT — Group 8		IGNITION — Group 18	
Washer, plain 1/4	X-25-53	Retainer (2)	X-269-34	Washer, I.T. 3/16 (4)	X-22-9
Screw, H.C. 1/4-20x3/4 (4)	X-132-2	Crankshaft	45 014 01	Washer, plain 1/4	X-25-52
Screw, H.C. 1/4-20x1/2 (4)	X-132-6	Gear assembly (2)	47 042 01	Washer, plain 1/4	X-25-72
Baffle, side air	235652	Bearing, needle (2)	47 030 01	Screw, self tapping 8-32x1/4	X-67-59
Housing, blower	236541	Kit, spacer	47 755 01	Screw, F.H.M. 10-24x1 (4)	X-116-4
Baffle, cylinder	45 063 01	CYLINDER HEAD — Group 9		Screw, F.H.M. 10-24x3/8 (4)	X-131-1
Baffle, head	45 124 01	Strap, lifting	47 455 01	Screw, H.C. 1/4-20x3/4	X-132-2
BREATHER & VENT — Group 3		Screw, H.C. 3/8-16x1-1/2 (9)	270158	Rod, breaker	47 411 04
Pal nut 1/4-20	X-799-1	Screw, H.C. 3/8-16x1-3/4	270721	Gasket, breaker	52 041 11
Seal, breather	231032	Washer 3/8 (11)	270889	Cover, breaker	232535
Reed, breather	235047	Head, cylinder	45 015 09	Clip	234511
Gasket, breather plate	235048	Gasket, head	45 052 01	Clip	234531
Baffle, breather	235117	DIPSTICK — Group 10		Lead, high tension	238057
Filter, breather	235118	Dipstick	237932	Stator	237775
Plate, breather	235631	ELECTRIC START — Group 11		Clip	275303
Cover, valve	275143	Washer, lock 3/8 (2)	X-22-1	Insulator (2)	277660
Gasket, valve cover	275144	Washer, plain 3/8	X-25-41	Plug, spark	235041-S
Stud, valve cover	275220	Screw, self tap. 1/4-20x3/8	X-67-62	Breaker	47 150 03
CAMSHAFT & VALVES — Group 4		Screw, H.C. 3/8-16x1-5/16	234948	Condenser	230722
Rotator (2)	230020	Bracket, support	237239	Coil	231281
Retainer, spring upper (2)	235011	Starter assembly	A-237511	Regulator	277064
Spring, valve (2)	235168	Kit, drive	47 755 07	OIL PAN — Group 21	
Pin, camshaft	235193	Kit, drive parts	47 755 13	Screw, H.C. 3/8-16x1-1/4 (4)	X-159-3
Tappet (2)	D-235327	Cap, drive end	237361	Gasket, pan	235057
Valve, intake	235582	Armature	47 170 01	Base, oil pan	235115
Valve, exhaust	237672	Cap, commutator end	48 227 04	Plug, pipe 3/4	X-75-6
Kit, retainer (2)	41 755 10	Kit, brush	48 755 15	PISTON & ROD — Group 22	
Spacer .005 (A.R.)	275066	Thru bolt w/washer (2)	237646	Rod, conn. assy. (Std.)	45 067 01
Spacer .010 (A.R.)	275067	FLYWHEEL — Group 13		Rod, conn. assy. (.010)	45 067 02
Camshaft assembly (3)	47 010 09	Washer, plain 5/8	X-25-88	Piston assembly (Std.)	45 074 31
Spring, actuating	47 089 01	Nut, lock 5/8-18	X-119-14	Piston assembly (.003)	45 074 32
CARBURETOR — Group 5		Screw, trs. hd. 1/4-20x5/8 (4)	47 086 05	Piston assembly (.010)	45 074 33
Connector, 90° hose	X-391-1	Key	X-286-17	Piston assembly (.020)	45 074 34
Screw, sltd. hd. 5/16-18x1 (2)	X-770-1	Screen, grass	47 162 03	Piston assembly (.030)	45 074 35
Gasket, carburetor	271030	Flywheel	A-236720	Ring set (Std. & .003)	45 108 01
Carburetor assembly	45 053 20	FUEL PUMP — Group 14		Ring set (.010)	45 108 02
Spring, idle speed	232555	Screw, F.H.M. 1/4-20x3/4 (2)	47 086 08	Ring set (.020)	45 108 03
Screw, idle speed adj.	232556	Clamp, hose (2)	X-426-9	Ring set (.030)	45 108 04
Spring, idle fuel	200380	Line, fuel	X-810-1	Retainer (2)	47 018 01
Screw, idle fuel adj.	275231	Gasket, fuel pump	47 041 04	Miniblock	45 782 06
Spring, main fuel	200383	Pump, fuel	47 559 04	Short Block	45 522 18
Needle, main fuel adj.	45 103 01	Washer, plain 1/4 (2)	X-25-63	Gasket Set w/o seals	45 004 03
Kit, float	25 757 03	Connector, 90° hose	X-391-1	Gasket Set w/seals	45 755 04
Gasket, bowl baffle	25 041 02	Connector, 90° hose	X-391-11		
Pin, float hinge	200376	GOVERNOR — Group 17			
Gasket, bowl	200375	Washer, plain 1/4	X-25-55		
Bowl, fuel	235448	Spacer	X-400-80		
Screw, bowl retainer	47 100 06	Pin, governor stop	231355		
Gasket, bowl retainer screw	200372	Retainer, rod	235278		
Kit, carburetor repair	25 757 01	Bushing	235476		
CRANKCASE — Group 7		Spring, governor	235496		
Plug, pipe 3/4	47 139 01	Washer, thrust	237022		
Screw, H.C. 1/4-20x5/8	X-132-5	Kit, governor gear	A-235743-S		
Screw, H.C. 1/4-20x1/2 (3)	X-132-6	Shaft, governor	237455		
Screw, H.C. 3/8-16x1 (4)	X-159-2	Lever, governor assembly	A-237653		
Plug, expansion	X-230-11	Washer, plain 1/4	X-25-72		
Seal, front oil	X-271-30	Nut, hex. 1/4-20	X-81-1		
Seal, rear oil	X-379-9	Screw, sems. 1/4-20x1-1/4	X-776-1		
Gasket, camshaft cover	235025	Bracket, control assembly	A-236895		
Cover, camshaft	237623	Washer, plain 1/4	X-25-63		
Gasket, brg. pl. .010 (A.R.)	235070	Washer, plain 1/4	X-25-102		
Shaft, governor	235125-S				
Bearing, ball (2)	235376				
Gasket, bearing plate	235757				

DESCRIPTION	PART NO.	DESCRIPTION	PART NO.	DESCRIPTION	PART NO.
AIR INTAKE — Group 1		Bearing	234866	Washer, plain 1/4	X-25-63
Screw, H.C. 10-32x5/16 (3)	X-167-2	CRANKSHAFT — Group 8		Washer, plain 1/4	X-25-102
Nut, wing	X-276-7	Retainer (2)	X-269-34	Screw, R.H. 8-32x5/16	X-51-8
Gasket, air horn	275341	Crankshaft	45 014 01	Kit, clamp	48 755 10
Cover, air cleaner	45 082 01	Gear assembly (2)	47 042 01	Spacer	235085
Element	45 083 02	Bearing, needle (2)	47 030 01	Bracket	235086
Base, air cleaner	45 094 01	Kit, spacer	47 755 01	Washer, wave	275690
BAFFLES & SHROUD — Group 2		CYLINDER HEAD — Group 9		Screw, H.C. 1/4-20x1-1/4	X-132-9
Washer, plain 1/4	X-25-53	Washer, lock 3/8 (2)	X-22-1	IGNITION — Group 18	
Screw, H.C. 1/4-20x3/4 (4)	X-132-2	Nut, H.C. 3/8-16 (4)	X-83-2	Washer, I.T. 3/16 (4)	X-22-9
Screw, H.C. 1/4-20x1/2 (2)	X-132-6	Spacers (2)	X-400-71	Washer, plain 1/4	X-25-52
Baffle, side air	235652	Stud (2)	237522	Screw, self tapping 8-32x1/4	X-67-59
Baffle, cylinder	45 063 01	Screw, H.C. 3/8-16x1-1/2 (7)	270158	Screw, F.H.M. 10-24x3/8 (4)	X-131-1
Baffle, head	45 124 01	Screw, H.C. 3/8-16x1-3/4	270721	Screw, H.C. 1/4-20x3/4	X-132-2
Housing, blower	47 027 19	Washer 3/8 (11)	270889	Rod, breaker	47 411 04
BREATHER & VENT — Group 3		Gasket, head	45 052 01	Cup	X-728-1
Pal nut 1/4-20	X-799-1	Head, cylinder	45 015 09	Screw, F.H. (4)	X-116-4
Seal, breather	231032	Strap, lifting	47 445 01	Gasket, breaker	52 041 11
Reed, breather	235047	DIPSTICK — Group 10		Cover, breaker	232535
Gasket, breather plate	235048	Dipstick	A-235092	Lead, high tension	238057
Baffle, breather	235117	ELECTRIC START — Group 11		Clip	275303
Filter, breather	235118	Washer, lock 3/8 (2)	X-22-1	Stator	277063
Plate, breather	235631	Washer, plain 3/8	X-25-41	Spark plug	235041-S
Cover, valve	275143	Screw, self tap. 1/4-20x3/8	X-67-62	Breaker	47 150 03
Gasket, valve cover	275144	Screw, H.C. 3/8-16x1-3/8 (2)	234380	Coil	231281
Stud, valve cover	275220	Bracket, support	237239	Condenser	230722
CAMSHAFT & VALVES — Group 4		Starter assembly	A-237511	Regulator, rectifier	47 403 03
Rotator (2)	230020	Kit, drive	47 755 07	Screw, H.C. 1/4-20x1 (2)	X-132-4
Retainer, spring upper (2)	235011	Kit, drive parts	47 755 13	INSTRUMENT PANEL — Group 19	
Spring, valve (2)	235168	Cap, end drive	237361	Screw, H.C. 1/4-20x1/2 (2)	X-5-13
Pin, camshaft	235193	Armature	47 170 01	Washer, lock 1/4 (2)	X-20-10
Tappet (2)	D-235327	Cap, commutator	48 227 04	Washer, I.T. 1/8 (4)	X-22-6
Valve, intake	235582	Kit, brush	48 755 15	Washer, E.T. 1/2	X-22-38
Valve, exhaust	237672	Thru bolt w/washer (2)	237646	Washer, plain 5/16 (2)	X-25-5
Kit, retainer (2)	41 755 10	FLYWHEEL — Group 13		Nut, hex. 1/4-20 (2)	X-81-1
Spacer .005 (A.R.)	275066	Washer, plain 5/8	X-25-104	Plate	220725
Spacer .010 (A.R.)	275067	Nut, lock 5/8-18	X-119-14	Panel	237594
Camshaft assembly (3)	47 010 09	Screw, trs. hd. 1/4-20x5/8 (4)	47 086 05	Switch	237851
Spring, actuating	47 089 01	Key	X-286-17	Switch, toggle	238011
CARBURETOR — Group 5		Screen, grass	236688	Connector	277563
Connector, 90° hose	X-391-1	Flywheel	47 025 48	Lead	45 518 07
Screw, sltd, hd. 5/16-18x1 (2)	X-770-1	Washer, plain 1/4 (4)	X-25-52	Lead	45 518 08
Gasket, carburetor	271030	FUEL PUMP — Group 14		Screw, H.C. 1/4-20x3/8 (2)	X-5-1
Carburetor assembly	45 053 20	Screw, F.H.M. 1/4-20x3/4 (2)	47 086 08	Nut, hex. lock 1/4-20 (2)	X-101-8
Spring, idle speed	232555	Clamp, hose (2)	X-426-9	Webbing (2)	X-295-25
Screw, idle speed adj.	232556	Line, fuel	X-810-1	Bracket, lower fuel tank	47 066 02
Spring, idle fuel	200380	Gasket, fuel pump	47 041 04	Bracket, control panel	47 126 16
Screw, idle fuel adj.	275231	Pump, fuel	47 559 04	OIL PAN — Group 21	
Spring, main fuel	200383	Washer, plain 1/4	X-25-63	Screw, H.C. 3/8-16x1-1/4 (4)	X-159-3
Needle, main fuel adj.	45 103 01	Connector, 90° hose	X-391-1	Gasket, pan	235057
Kit, float	25 757 03	Connector, 90° hose	X-391-11	Base, oil pan	235115
Gasket, bowl baffle	25 041 02	FUEL TANK — Group 15		Plug, pipe 3/4	X-75-6
Pin, float hinge	200376	Strap, tank 24-13/16 (2)	237639	PISTON & ROD — Group 22	
Gasket, bowl	200375	Line, fuel	X-811-1	Rod, conn. assy. (Std.)	45 067 16
Bowl, fuel	235448	Bracket, upper assembly	47 217 10	Rod, conn. assy. (.010)	45 067 18
Screw, bowl retainer	47 100 06	Webbing (2)	X-295-35	Piston assembly (Std.)	45 074 41
Gasket, bowl retainer screw	200372	Bracket, upper tank	45 066 03	Piston assembly (.003)	45 074 42
Kit, carburetor repair	25 757 01	Tank, fuel	47 065 02	Piston assembly (.010)	45 074 43
CRANKCASE — Group 7		Valve, shut off	47 462 01	Piston assembly (.020)	45 074 44
Plug, pipe 3/4	47 139 01	GOVERNOR — Group 17		Piston assembly (.030)	45 074 45
Screw, H.C. 1/4-20x1/2 (4)	X-132-6	Washer, plain 1/4	X-25-55	Ring set (Std. & .003)	45 108 06
Screw, H.C. 3/8-16x1 (4)	X-159-2	Spacer	X-400-80	Ring set (.010)	45 108 07
Plug, expansion	X-230-11	Pin, governor stop	231355	Ring set (.020)	45 108 08
Seal, front oil	X-271-30	Retainer, rod	235278	Ring set (.030)	48 108 09
Seal, rear oil	X-379-9	Bushing	235476	Retainer (2)	47 018 01
Gasket, camshaft cover	235025	Spring, governor	235496	Miniblock	45 782 06
Cover, camshaft	235026	Washer, thrust	237022	Short Block	45 522 22
Gasket, brg. pl. .010 (A.R.)	235070	Kit, governor gear	A-235743-S	Gasket Set w/o seals	45 004 03
Shaft, governor	235125-S	Shaft, governor	237455	Gasket Set w/seals	45 755 04
Bearing, ball (2)	235376	Lever, governor assembly	A-237653		
Gasket, bearing plate	235757	Washer, plain 1/4	X-25-72		
Shaft (2)	236559	Nut, hex. 1/4-20	X-81-1		
Plate, bearing	45 156 02	Screw, sems. 1/4-20x1-1/4	X-776-1		
Block, cylinder assembly		Bracket, control assembly	A-236895		
(USE: Miniblock)	45 782 06				
Insert, intake (2)	230265				
Guide, valve (2)	235007-S				